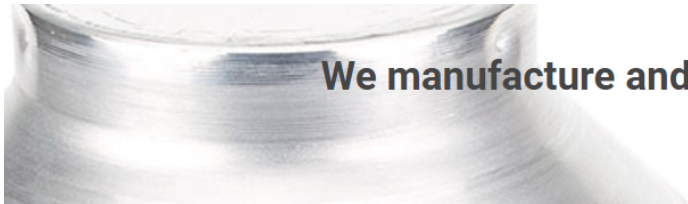


Platinum Technologies Ltd.
87 Disco Road
Etobicoke, Ontario
M9W 1M3
www.platinumtechnologies.com

PLATINUM
Technologies Ltd.



We manufacture and market commercial roofing products for the North American roofing industry.

PLATINUM PRODUCT LINE

All Platinum Technologies Premium Copper Retrofit and New Construction Drains as well as our Aluminum AF, AR, PAF and PAR series Drains in all retrofit and new construction sizes have now been certified to conform to both CSA-B79 and ASME 112.6.4 standards. These rigorous tests ensure that our products have met the highest possible standards. Our ISO-9001 manufacturing plant is proud to have earned this certification and our product quality is assured with ongoing tests and audits.

PREMIUM COPPER AND ALUMINUM DRAINS

PREMIUM COPPER RETROFIT DRAINS COMPLETE WITH SEAL *Recessed Deck*

	SKU	Qty
2 3/4" Copper Retrofit, w/alum flange, w/flip top dome, w/seal	P-P80312/3S	1
3 3/4" Copper Retrofit, w/alum flange, w/flip top dome, w/seal	P-P80330/4S	1
4 3/4" Copper Retrofit, w/alum flange, w/flip top dome, w/seal	P-P90357/5S	1
5 3/4" Copper Retrofit, w/alum flange, w/flip top dome, w/seal	P-P90358/6S	1

PREMIUM COPPER RETROFIT DRAINS COMPLETE WITH SEAL *Flat Deck*

1 3/4" Copper Retrofit, w/alum flange, w/flip top dome, w/coupling	P-P80175F/2C	1
2 3/4" Copper Retrofit/w/alum flange, w/flip top dome, w/seal	P-P80312F/3S	1
3 3/4" Copper Retrofit, w/alum flange, w/flip top dome, w/seal	P-P80330F/4S	1
4 3/4" Copper Retrofit, w/alum flange, w/flip top dome, w/seal	P-P90357F/5S	1
5 3/4" Copper Retrofit, w/alum flange, w/flip top dome, w/seal	P-P90358F/6S	1

PREMIUM COPPER RETROFIT DRAINS WITH LONG STEM, COMPLETE WITH SEAL *Recessed Deck*

2 3/4" Copper Retrofit, w/alum flange, w/flip top dome, w/seal	P-PL80312/3S	2
3 3/4" Copper Retrofit w/alum flange. w/flip top dome, w/seal	P-PL80330/4S	2
5 3/4" Copper Retrofit w/alum flange, w/flip top dome, w/seal	P-PL90358/6S 1	1

PREMIUM COPPER RETROFIT DRAINS WITH LONG STEM, COMPLETE WITH SEAL *Flat Deck*

2 3/4" Copper Retrofit, w/alum flange, w/flip top dome, w/seal	P-PL80312F/3S	2
3 3/4" Copper Retrofit w/alum flange. w/flip top dome, w/seal	P-PL80330F/4S	2
5 3/4" Copper Retrofit w/alum flange, w/flip top dome, w/seal	P-PL90358F/6S	1

PREMIUM COPPER RETROFIT DRAINS *Recessed Deck*

2 3/4" Copper Retrofit, w/alum flange, w/flip top dome	P-P80312	1
3 3/4" Copper Retrofit, w/alum flange, w/flip top dome	P-P80330	1
4 3/4" Copper Retrofit, w/alum flange, w/flip top dome	P-P90357	1
5 3/4" Copper Retrofit, w/alum flange, w/flip top dome	P-P90358	1

PREMIUM COPPER RETROFIT DRAINS *Flat Deck*

2 3/4" Copper Retrofit, w/alum flange, w/flip top dome	P-P80312F	1
3 3/4" Copper Retrofit, w/alum flange, w/flip top dome	P-P80330F	1
4 3/4" Copper Retrofit, w/alum flange, w/flip top dome	P-P90357F	1
5 3/4" Copper Retrofit, w/alum flange, w/flip top dome	P-P90358F	1

PREMIUM COPPER NEW CONSTRUCTION ROOF DRAINS *Recessed Deck*

New Construction 3" Copper, w/alum flange, w/flip top dome	P-P90361	1
New Construction 4" Copper, w/alum flange, w/flip top dome	P-P90362	1
New Construction 6" Copper, w/alum flange, w/flip top dome	P-P90364	1

PREMIUM COPPER NEW CONSTRUCTION ROOF DRAINS *Flat Deck*

New Construction 2" Copper, w/alum flange, w/flip top dome	P-P80200F	1
New Construction 3" Copper, w/alum flange, w/flip top dome	P-P90361F	1
New Construction 4" Copper, w/alum flange, w/flip top dome	P-P90362F	1
New Construction 6" Copper, w/alum flange, w/flip top dome	P-P90364F	1

COPPER ECONOMY DRAINS

2.75" Copper Economy, w/copper collar and PVC Strainer	P-EC13010	5
3.75" Copper Economy, w/copper collar and PVC Strainer	P-EC13011	5

COPPER TEMPORARY DRAINS

2 3/4" Copper Drain deck only with 12" stem	P-80312QC-12	5
2 3/4" Copper Drain deck only with 18" stem	P-80312QC-18	5
3 3/4" Copper Drain deck only with 12" stem	P-80330QC-12	5
3 3/4" Copper Drain deck only with 18" stem	P-80330QC-18	5

ALUMINUM ECONOMY DRAINS

2.75" Aluminum Economy, w/aluminum collar and PVC Strainer	P-EA13010	5
3.75" Aluminum Economy, w/aluminum collar and PVC Strainer	P-EA13011	5
3" Aluminum Economy, w/aluminum collar, 12" stem and PVC Strainer	P-EA300	5
4" Aluminum Economy. w/aluminum collar, 12" stem and PVC Strainer	P-EA400	5

ALUMINUM TEMPORARY DRAIN ONLY 6" STEM

2 3/4" Aluminum drain w/flat deck-no collar or strainer	EAFAT-2.75	5
2 3/4" Aluminum drain w/funnel deck-no collar or strainer	EAFUN-2.75	5

ALUMINUM TEMPORARY DRAIN ONLY 12" STEM

2 3/4" Aluminum drain w/flat deck, no collar or strainer	TEMPFA-275	5
3 3/4" Aluminum drain w/flat deck, no collar or strainer	TEMPFA-375	5

PREMIUM ALUMINUM RETROFIT DRAINS WITH SEAL *Recessed Deck*

2 3/4" Aluminum Retro, w/dome, w/seal w/flip top dome	PAR80312/3S	1
3 3/4" Aluminum Retro, w/dome, w/seal w/flip top dome	PAR80330/4S	1
5 3/4" Aluminum Retro, w/dome. w/seal with flip top dome	PAR90358/6S	1

PREMIUM ALUMINUM RETROFIT DRAINS WITH SEAL *Flat Deck*

1 3/4" Aluminum Retrofit, Flat Deck, w/dome, w/coupling	P-PAF80175/2C	1
2 3/4" Aluminum Retrofit, Flat Deck, w/dome, w/seal with flip top dome	P-PAF80312/3S	1
3 3/4" Aluminum Retrofit, Flat Deck, w/dome, w/seal w/flip top dome	P-PAF80330/4S	1
5 3/4" Aluminum Retrofit, Flat Deck, w/dome, w/seal w/flip top dome	P-PAF90358/6S	1

PREMIUM ALUMINUM NEW CONSTRUCTION DRAINS *Recessed Deck*

3" Aluminum New Construction Recessed deck drain w/alum clamping ring and flip top dome	P-PAR90361	1
4" Aluminum New Construction Recessed deck drain w/alum clamping ring and flip top dome	P-PAR90362	1
6" Aluminum New Construction Recessed deck drain w/alum clamping ring and flip top dome	P-PAR90364	1

PREMIUM ALUMINUM FLAT DECK LONG STEM RETRO DRAIN WITH SEAL

2 3/4" Prem Alum Flat deck Retro drain w/ 22" stem, alum clamping ring, flip top dome and seal	P-PAFL80312/3S	2
3 3/4" Prem Alum Flat deck Retro drain w/22" stem, alum clamping ring, flip top dome and seal	P-PAFL80330/4S	2
5 3/4" Prem Alum Flat deck Retro drain w/22" stem, alum clamping ring, flip top dome and seal	P-PAFL90358/6S	1

ALUMINUM NEW CONSTRUCTION DRAINS *Flat Deck*

2" Aluminum New Construction Flat deck drain w/alum clamping ring and cast dome	P-PAF80200	1
3" Premium Aluminum New Construction Flat deck drain w/alum clamping ring and cast dome	P-PAF90361	1
4" Premium Aluminum New Construction Flat deck drain w/alum clamping ring and cast dome	P-PAF90362	1
6" Premium Aluminum New Construction Flat deck drain w/alum clamping ring and cast dome	P-PAF90364	1

Aluminum Fixed Drain Dome	P-90147	5
Premium Cast Aluminum Vandal Proof Flip Top Dome	P-12022	5
Ballast Guards - Stainless Steel Adjustable 10" to 12.5"	P-12061	10

Platinum Control Flow Restrictor 5.70" I.D.	P-10181	20
---------------------------------------------	---------	----

3" Aluminum Under Deck Clamp	P-X13012	5
4" Aluminum Under Deck Clamp	P-X13013	5
6" Aluminum Under Deck Clamp	P-X13014	5

Gas Line Marker	P-GLMRK-48	5
Drain Dome Marker	P-DRMRK-48	5 or 10

DRAIN SEALS

	Seal	Seal	Sku	Qty
3"			P-3S-12	12
4"			P-4S-12	12
5" Seal			P-5S-12	12
6" Seal			P-6S-12	12

VENT STACKS

	Skus	Qty
VS/VPS base only 4.88" I.D.	P-80311-1	10 or 20
VIS/VPS base only 4.88" I.D. - 18" high	P-80311 -18	10
Insulated VS/VPS base Only,	P-INS80311	10
3" Cap Only	P-90154	10 or 20
4" Cap Only	P-90155	10 or 20
Vandal Proof Cap Only	P-80311-2/3	10
6" Vent Stack Base 5.75" I.D.	P-VSB6	10
3" Cap Only	P-VSC300	10
3.75" Cap Only	P-VSC375	10
7" Vent Stack Base	P-VSB7	5
6" VS Cap for VSB7	P-VSC6	5
4" One-way Insulated Breather	P-13008	5
7" Two way breather	P-13009	5

TALL CONES

	Skus	Qty
TCON 1.5"	P-80331	10 or 25
TCON 2"	P-80332	10 or 25
TCON 3"	P-80333	10 or 25
TCON 4"	P-80334	10 or 25
TCON 5"	P-80335	10 or 25
TCON 6"	P-80310	10 or 25
TCON 7"	P-80337	10
TCON 8"	P-80338	10
TCON 9"	P-80339	10
TCON 10"	P-80340	10
TCON 11"	P-80351	10
TCON 12"	P-80341	10
TCON 14"	P-13214	5
TCON 16"	P-13216	5
TCON 18"	P-13218	5
TCON 20"	P-13220	5
TCON 22"	P-13222	5
TCON 24"	P-13224	5

2" Spun Aluminum Premium Storm Collar	P-11502	25
4" Spun Aluminum Premium Storm Collar	P-11504	25
6" Spun Aluminum Premium Storm Collar	P-11506	25
8" Spun Aluminum Premium Storm Collar	P-11508	10
10" Spun Aluminum Premium Storm Collar	P-11510	10
12" Spun Aluminum Premium Storm Collar	P-11512	10

2" Galvanized Metal Rain Collar	P-SMRC-2	25
3" Galvanized Metal Rain Collar	P-SMRC-3	25
4" Galvanized Metal Rain Collar	P-SMRC-4	25
5" Galvanized Metal Rain Collar	P-SMRC-5	25
6" Galvanized Metal Rain Collar	P-SMRC-6	25
7" Galvanized Metal Rain Collar	P-SMRC-7	10
8" Galvanized Metal Rain Collar	P-SMRC-8	10
9" Galvanized Metal Rain Collar	P-SMRC-9	10
10" Galvanized Metal Rain Collar	P-SMRC-10	10
11" Galvanized Metal Rain Collar	P-SMRC-11	10
12" Galvanized Metal Rain Collar	P-SMRC-12	10
14" Galvanized Metal Rain Collar	P-SMRC-14	5
16" Galvanized Metal Rain Collar	P-SMRC-16	5
18" Galvanized Metal Rain Collar	P-SMRC-18	5
20" Galvanized Metal Rain Collar	P-SMRC-20	5
22" Galvanized Metal Rain Collar	P-SMRC-22	5
24" Galvanized Metal Rain Collar	P-SMRC-24	5

ELECTRICAL FLASHING

	SKU	Qty
30" Stainless Steel Gooseneck 1.9" I.D. and Spun Aluminum Base	P-12100	5
Multiwire Cobra Head (PVC) Aluminum Flashing - 12"	P-12099	5
Multiwire Cobra Head (PVC) Aluminum Flashing - 18"	P-12099-18	5
Four Nipple Electrical Flashing w/EPDM Top	P-EF4N	5

ROOF ANCHOR FLASHING

	SKU	Qty
Roof Anchor Flashing w/EPDM TOP 1" - 5" width grommet w/MJ Clamps with 4" flange	P-RAF500	5
Roof Anchor Plate Flashing w/EPDM TOP 1" - 5" width grommet w/MJ Clamps	P-RAPF500	5

SMARTBLOX

Gas Line Supports	P-SBK-3.5	5
-------------------	-----------	---

TERMINATION BAR

Aluminum Termination Bar 10' Lengths	P-90354	50
--------------------------------------	---------	----

TOOLS

	SKU	Qty
Gin Wheel	P-GINWHL-12	2
24" Screwdriver	P-DRNSLSD-24	5



PLATINUM RECESSED COPPER DRAIN

features

DOME

- ✓ Two piece secured hinged HD cast aluminum Vandal Proof dome
- ✓ Easy maintenance with single Phillips screw
- ✓ Top fully opens with 6 ½" opening
- ✓ 3 bolt design allows ease of installation
- ✓ Platinum flip top dome fits all sizes of Platinum retrofit and new construction size copper and aluminum drains
- ✓ Designed to accommodate contractor metal foil adhesive label
- ✓ 33 weir openings for effective drainage
- ✓ Available and boxed as 'dome only' in boxes of 5
- ✓ Platinum Flow Control can also be used as needed
- ✓ Flip top dome series copper drains are SKU designated beginning with P (Premium)
- ✓ Standard dome on all P series copper drains

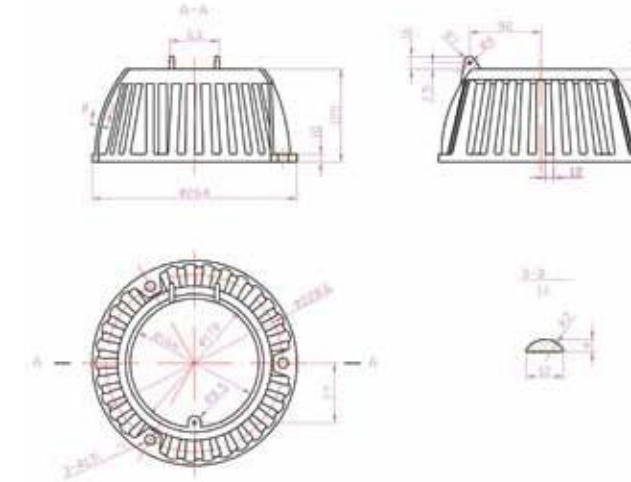
FLANGE / CLAMPING RING

- ✓ Heavy cast aluminum construction
- ✓ 9 drainage channels to allow full drainage
- ✓ Flange designed for optimum seal with roof flashing
- ✓ Fits all sizes of Platinum copper drains
- ✓ Reversible to allow elevation drainage options

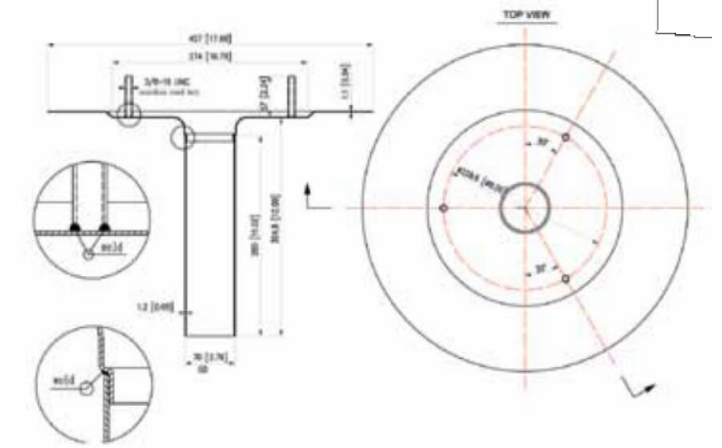
DRAIN DECK and STEM

- ✓ 24 oz. / .05" (1.2 mm) prime roofing grade T-2 copper
- ✓ Available in either flat or recessed deck
- ✓ Argon-Arc welded and overlapping seams for clean solid weld fusion
- ✓ Tig welded 3/8" stainless steel bolts to copper deck
- ✓ Extra set of stainless steel nuts (6)
- ✓ Code approved CSA-B79
- ✓ Available in Retrofit sizes 2 ¾", 3 ¾", 4 ¾", 5 ¾"
- ✓ Available in New Construction sizes 3", 4", 6"
- ✓ 1.2 mm copper for drains up to 3", 1.5mm for 5" and 2.0mm copper for 6" drains
- ✓ 18" Wide deck for better adhesion

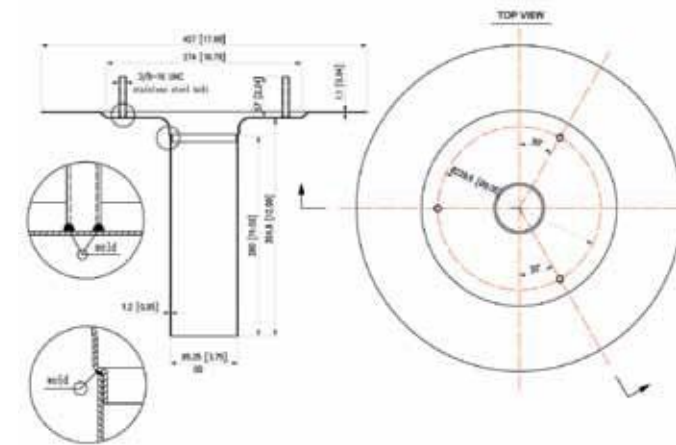
Flip-top Dome



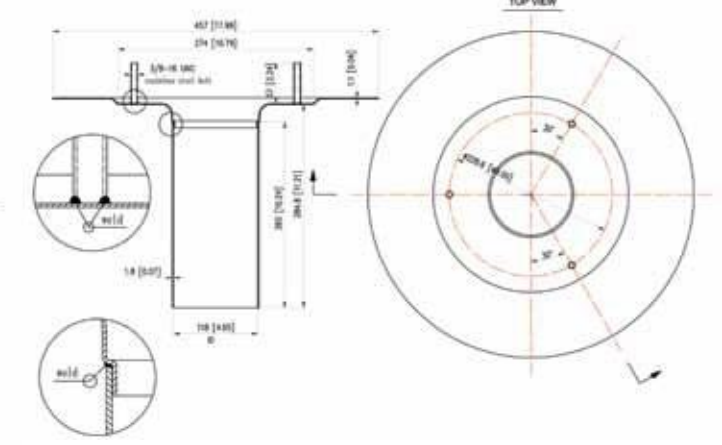
2 3/4" Drain



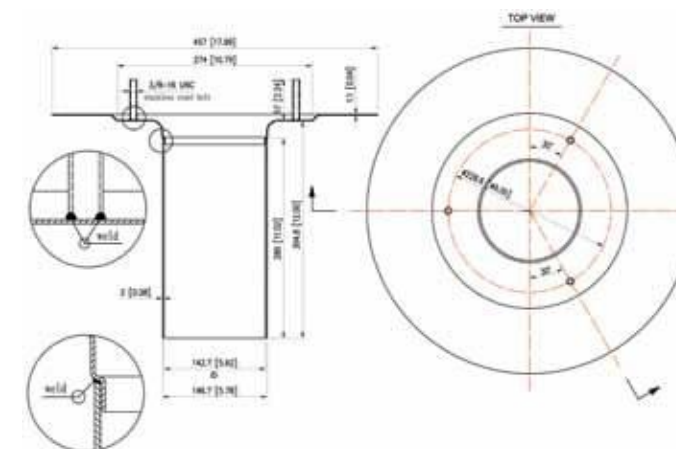
3 3/4" Drain



4 3/4" Drain



5 3/4" Drain



What Our Customers Have To Say ...

"The city School Board has approved these Platinum copper drains and we are also using their drain seals on every job. Great pricing and a first class product."

Brandon Hexham, The Pinnacle Group



PLATINUM FLAT COPPER DRAIN

features

DOME

- ✓ Two piece secured hinged HD cast aluminum Vandal Proof dome
- ✓ Easy maintenance with single Phillips screw
- ✓ Top fully opens with 6 1/2" opening
- ✓ 3 bolt design allows ease of installation
- ✓ Platinum flip top dome fits all sizes of Platinum retrofit and new construction size copper and aluminum drains
- ✓ Designed to accommodate contractor metal foil adhesive label
- ✓ 33 weir openings for effective drainage
- ✓ Available and boxed as 'dome only' in boxes of 5
- ✓ Platinum Flow Control can also be used as needed
- ✓ Flip top dome series copper drains are SKU designated beginning with P (Premium)
- ✓ Standard dome on all P series copper drains

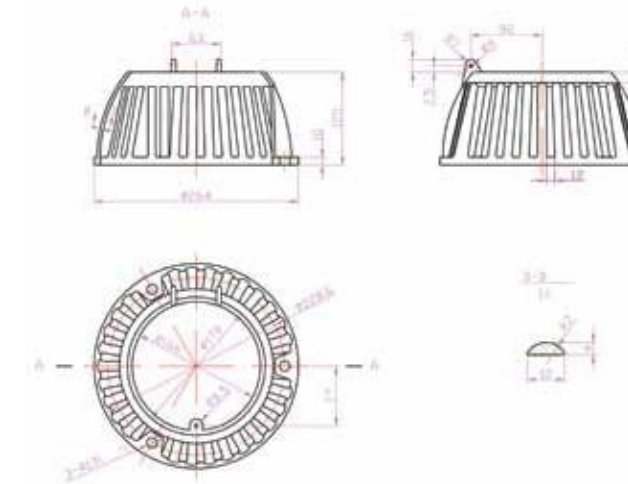
FLANGE / CLAMPING RING

- ✓ Heavy cast aluminum construction
- ✓ 9 drainage channels to allow full drainage
- ✓ Flange designed for optimum seal with roof flashing
- ✓ Fits all sizes of Platinum copper drains
- ✓ Reversible to allow elevation drainage options

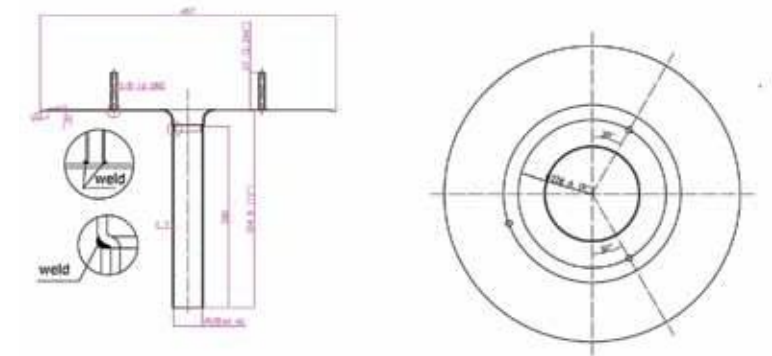
DRAIN DECK and STEM

- ✓ 24 oz. / .05" (1.2 mm) prime roofing grade T-2 copper
- ✓ Available in either flat or recessed deck
- ✓ Argon-Arc welded and overlapping seams for clean solid weld fusion
- ✓ Tig welded 3/8" stainless steel bolts to copper deck
- ✓ Extra set of stainless steel nuts (6)
- ✓ Code approved CSA-B79
- ✓ Available in Retrofit Flat deck sizes 1 3/4", 2 3/4", 3 3/4", 4 3/4" and 5 3/4"
- ✓ Available in Recessed Deck sizes 2 3/4", 3 3/4", 4 3/4" and 5 3/4"
- ✓ Available in New Construction sizes 2", 3", 4" and 6" in Flat Deck and in sizes 3", 4" and 6" in Recessed Deck
- ✓ 1.2 mm copper for drains up to 3", 1.5mm for 5" and 2.0mm copper for 6" drains
- ✓ 8 degree bevel outside edge for better adhesion and added strength

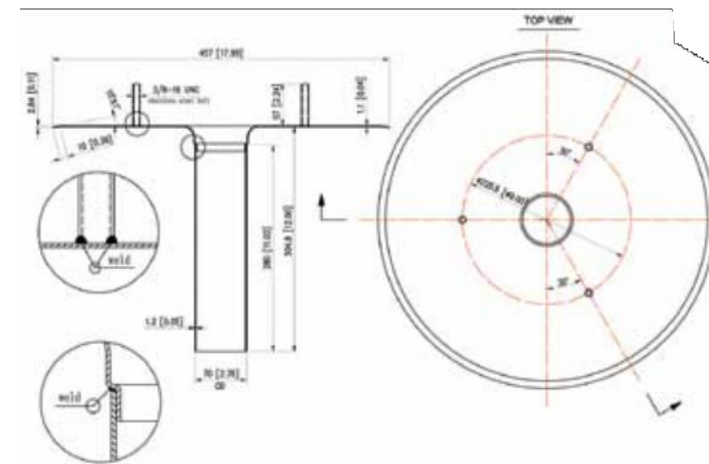
Flip-top Dome



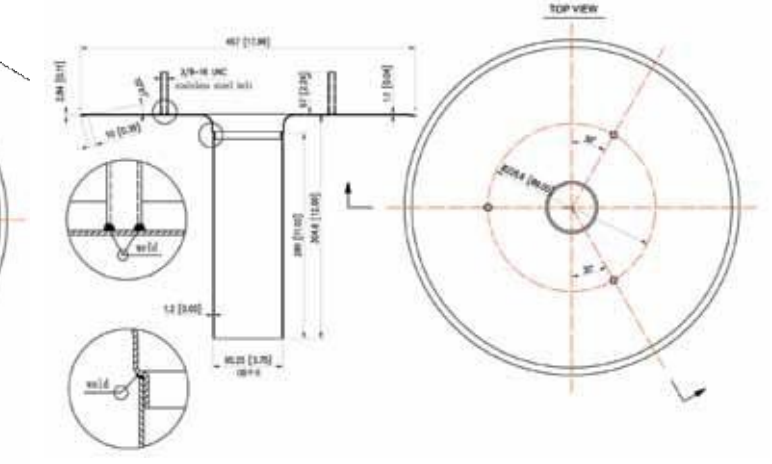
1 3/4" Drain



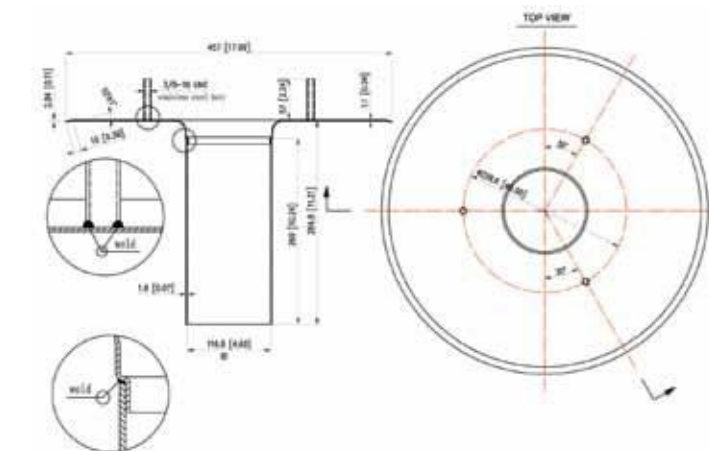
2 3/4" Drain



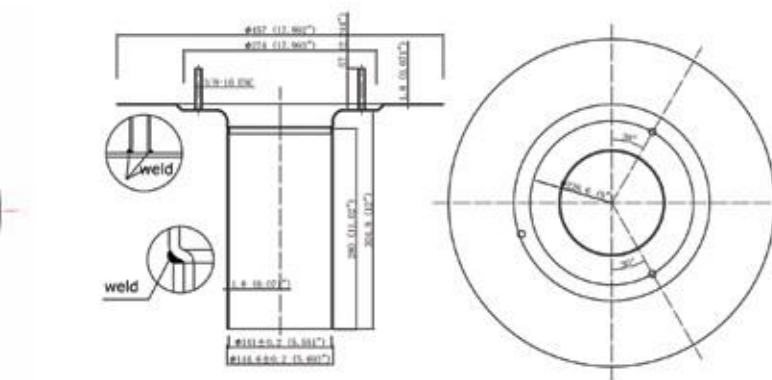
3 3/4" Drain



4 3/4" Drain



5 3/4" Drain



What Our Customers Have To Say ...

"The city School Board has approved these Platinum copper drains and we are also using their drain seals on every job. Great pricing and a first class product."

Brandon Hexham, The Pinnacle Group



NEW CONSTRUCTION COPPER DRAIN

features

DOME

- ✓ Two piece secured hinged HD cast aluminum Vandal Proof dome
- ✓ Easy maintenance with single Phillips screw
- ✓ Top fully opens with 6 1/2" opening
- ✓ 3 bolt design allows ease of installation
- ✓ Platinum flip top dome fits all sizes of Platinum retrofit and new construction copper and aluminum drains
- ✓ Designed to accommodate contractor metal foil adhesive label
- ✓ 33 weir openings for effective drainage
- ✓ Available and boxed as 'dome only' in boxes of 5
- ✓ Platinum Flow Control can also be used as needed
- ✓ Flip top dome series copper drains are SKU designated beginning with P (Premium)
- ✓ Standard dome on all P series copper drains

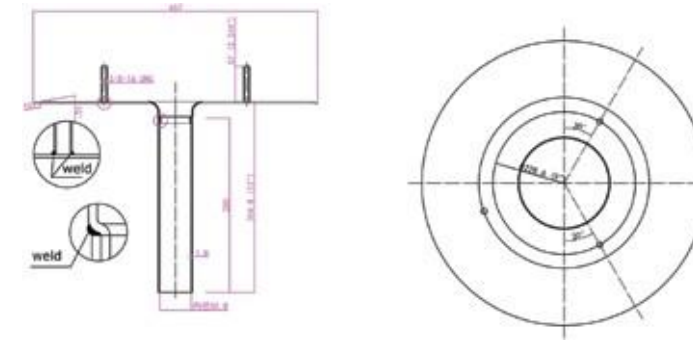
FLANGE / CLAMPING RING

- ✓ Heavy cast aluminum construction
- ✓ 9 drainage channels to allow full drainage
- ✓ Flange designed for optimum seal with roof flashing
- ✓ Fits all sizes of Platinum copper drains
- ✓ Reversible to allow elevation drainage options

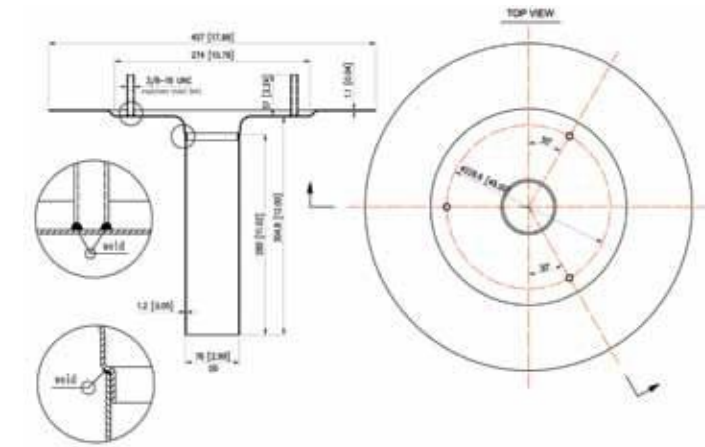
DRAIN DECK and STEM

- ✓ 24 oz. / .05" (1.2 mm) prime roofing grade T-2 copper
- ✓ Available in either flat or recessed deck
- ✓ Argon-Arc welded and overlapping seams for clean solid weld fusion
- ✓ Tig welded 3/8" stainless steel bolts to copper deck
- ✓ Extra set of stainless steel nuts (6)
- ✓ Code approved CSA-B79
- ✓ Available in Retrofit Flat deck sizes 1 3/4", 2 3/4", 3 3/4", 4 3/4" and 5 3/4"
- ✓ Available in Recessed deck sizes 2 3/4", 3 3/4", 4 3/4" and 5 3/4"
- ✓ Available in New Construction sizes 2", 3", 4" and 6" in flat deck and in sizes 3", 4" and 6" in recessed deck
- ✓ 1.2 mm copper for drains up to 3", 1.5mm for 5" and 2.0mm copper for 6" drains
- ✓ 18" wide deck flange

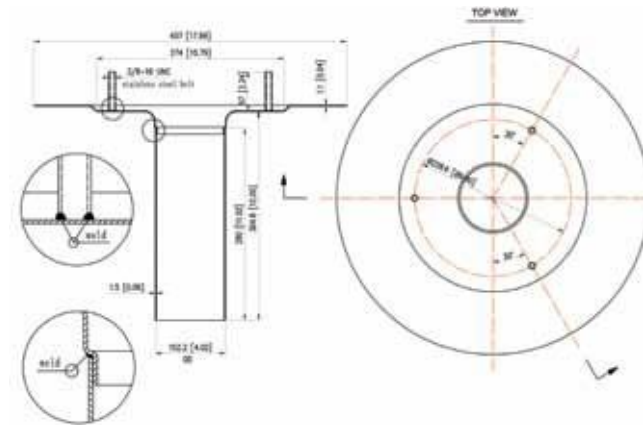
2" Drain



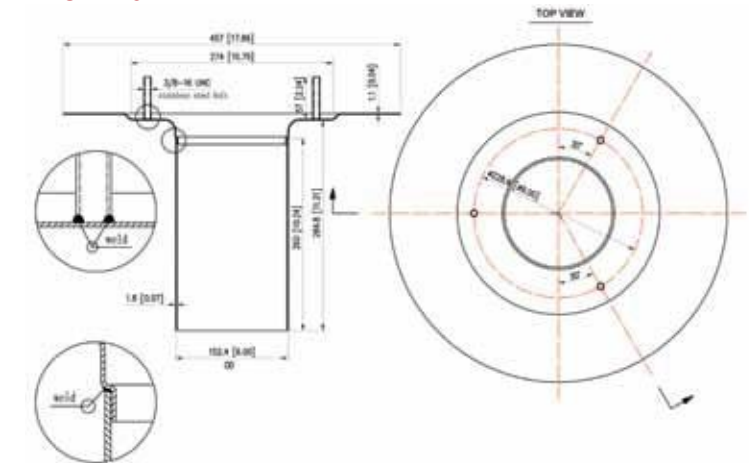
3" Drain



4" Drain



6" Drain



What Our Customers Have To Say ...

"The city School Board has approved these Platinum copper drains and we are also using their drain seals on every job. Great pricing and a first class product."

Brandon Hexham, The Pinnacle Group

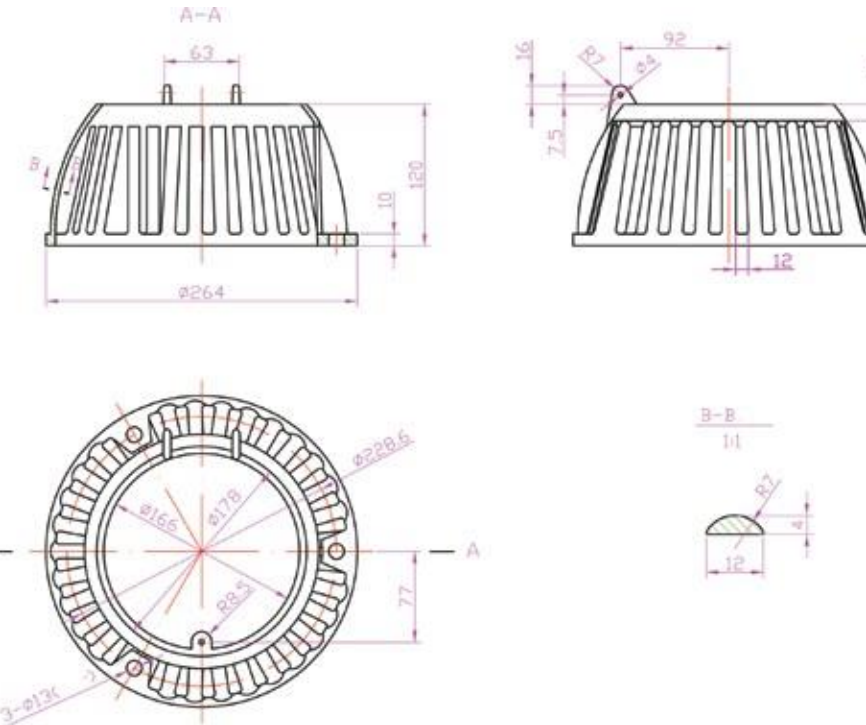
Cast Aluminum Flip Top Dome



CAST ALUMINUM FLIP TOP DOME

features

- ✓ Two piece secured hinged HD cast aluminum Vandal Proof dome
- ✓ Easy maintenance with single Phillips stainless steel screw
- ✓ Top fully opens with 6 ½" opening
- ✓ 3 bolt design allows ease of installation
- ✓ Platinum flip top dome fits all sizes of Platinum retrofit and new construction size copper and aluminum drains
- ✓ Designed to accommodate contractor metal foil adhesive label
- ✓ 33 weir openings for effective drainage
- ✓ Available and boxed as 'dome only' in boxes of 5
- ✓ Platinum Flow Control can also be used as needed
- ✓ Flip top dome series copper drains are SKU designated beginning with P (Premium)
- ✓ Standard dome on all P series copper drains
- ✓ Code approved CSA-B79



What Our Customers Have To Say ...

“A product that beats the competition hands down. All the same benefits at a very competitive price saving the customer on his bottom line.”

Darrel Henderson, BTC Group

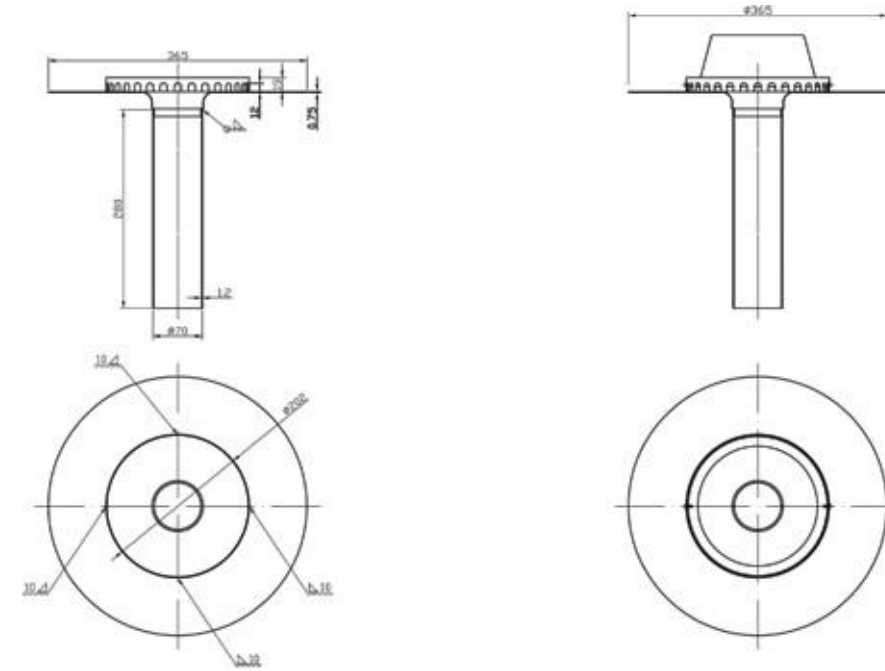


ECONOMY COPPER DRAIN

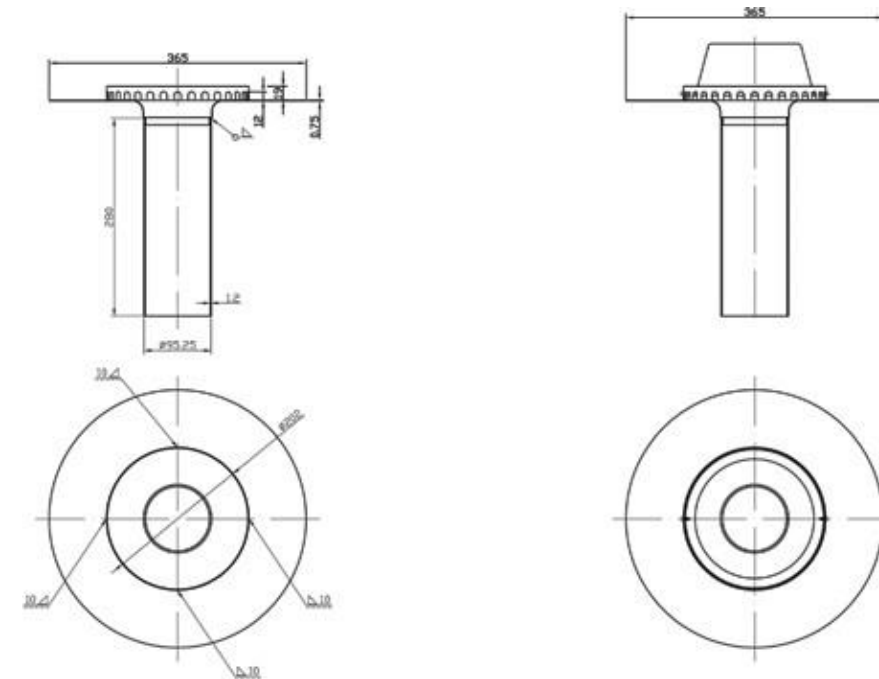
features

- ✓ 0.75mm thickness drain deck
- ✓ 1.2mm thickness drain stem
- ✓ 12" stem welded to drain deck
- ✓ 14" wide copper flange
- ✓ Complete with TPO drain dome and 2 screws
- ✓ Copper drainage collar spot welded to deck
- ✓ Ideal for temporary connections

Economy 2 3/4" Copper Drain



Economy 3 3/4" Copper Drain



What Our Customers Have To Say ...

"A quality drain suited for the small residential flat roofs or as a temporary roof drain."

Darrel Henderson, BTC Group

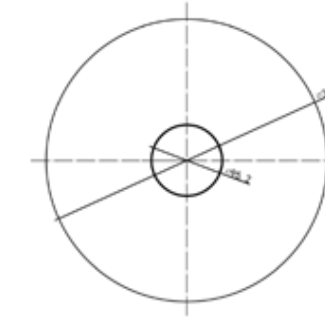
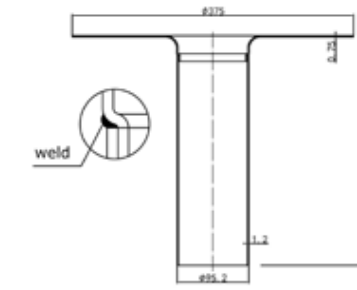
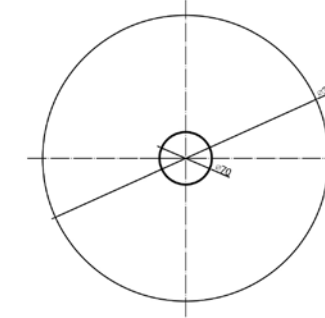
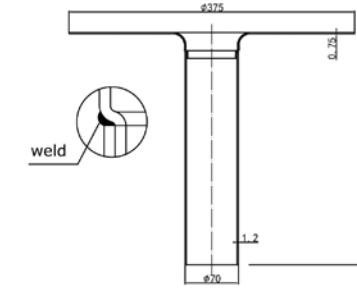
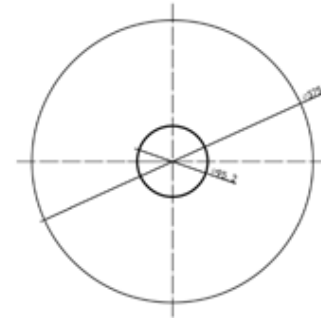
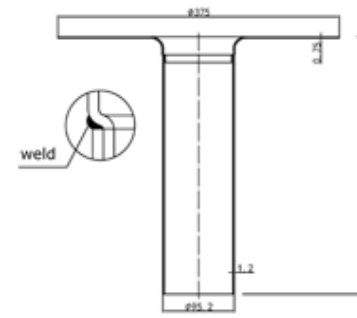
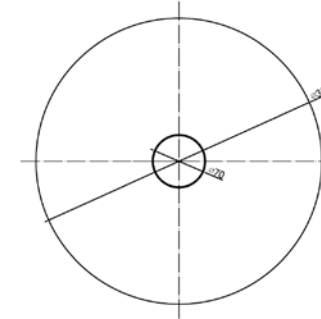
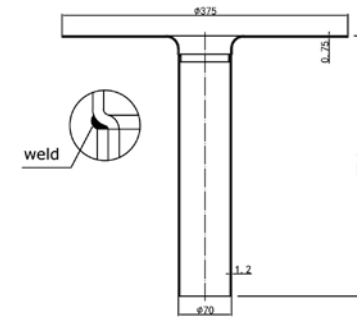


COPPER TEMPORARY DRAIN DECK AND STEM

features

- ✓ Same two piece construction as our premium drain
- ✓ Argon arc welded stem to deck
- ✓ Available in 2 3/4" and 3 3/4" drain stems with 12" or 18" stem
- ✓ 14.76" wide drain deck
- ✓ Designed to fit 3" and 4" drain inserts
- ✓ .75 mm. material thickness of copper deck
- ✓ 1.2 mm material thickness of copper stem
- ✓ Flat deck style for ease of installation
- ✓ Ideal for reusable temporary drains

Copper Temporary Drain Deck and Stem





PLATINUM ALL ALUMINUM RETROFIT DRAIN

features

DOME

- ✓ Foundry cast heavy duty aluminum dome
- ✓ Dome top designed for contractors label
- ✓ 33 weir slots for maximum water flow
- ✓ Fits all sizes of Platinum copper drains
- ✓ 3 bolt design for efficient installation
- ✓ Vandal resistant yet contractor friendly

FLANGE / CLAMPING RING

- ✓ Heavy cast aluminum construction
- ✓ 9 drainage channels to allow full drainage
- ✓ Flange designed for optimum seal with roof flashing
- ✓ Fits all sizes of Platinum copper drains
- ✓ Reversible to allow elevation drainage options

DRAIN DECK and STEM

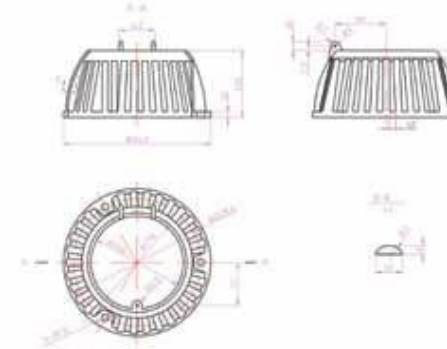
- ✓ Deck of 1.8 mm Alum 1060 grade premium aluminum
- ✓ Stem of 1.7 mm Alum 1063 T-5 grade premium aluminum
- ✓ Available in Flat deck sizes 1 3/4", 2 3/4", 3 3/4", 5 3/4" and in Recessed deck sizes 2 3/4", 3 3/4" and 5 3/4"
- ✓ Aluminum welded and overlapping seams for clean solid weld fusion
- ✓ Aluminum Argon Arc welded bolts and stem to deck **Platinum Exclusive For Added Strength**
- ✓ 3/8" aluminum T6-6061 bolts to aluminum deck
- ✓ Extra set of stainless steel nuts (6)
- ✓ Code approved CSA-B79
- ✓ Available in Retrofit sizes 2 3/4", 3 3/4" and 5 3/4"

What Our Customers Have To Say ...

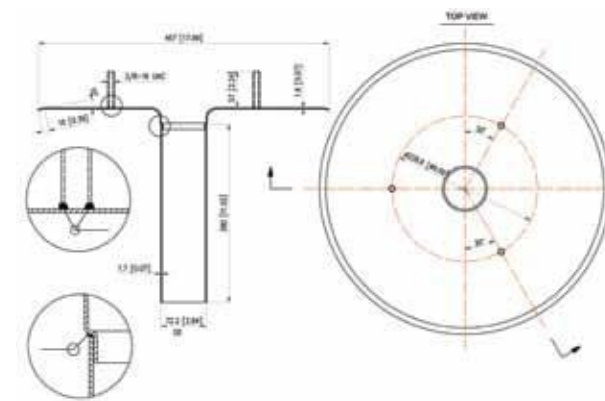
"I have been involved in the roofing industry for the past 27 years and these new Platinum brand aluminum drain and seal combos are one of the highest quality I've seen and by far the best value of any on the market."

Manuel Bandeira, Viana Roofing and Sheet Metal Limited

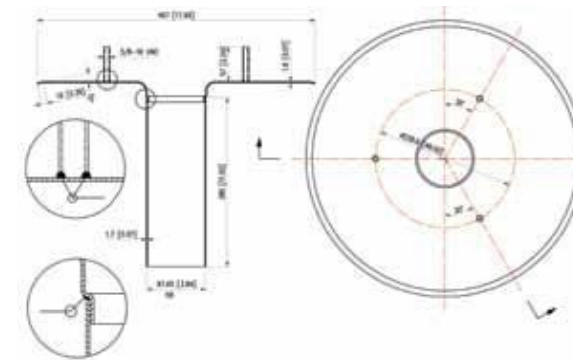
Flip-top Dome



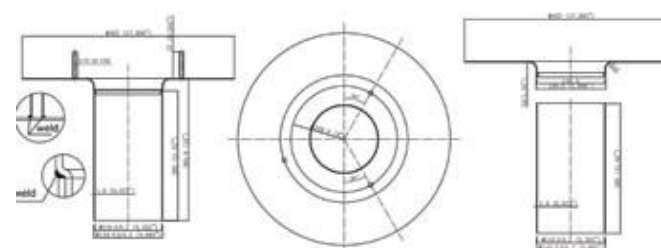
2 3/4" Aluminum Flat Deck Drain



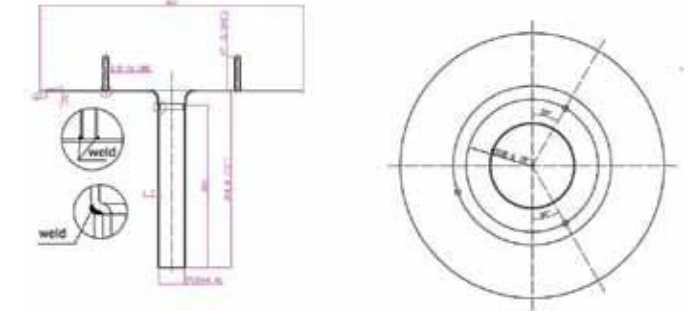
3 3/4" Aluminum Flat Deck Drain



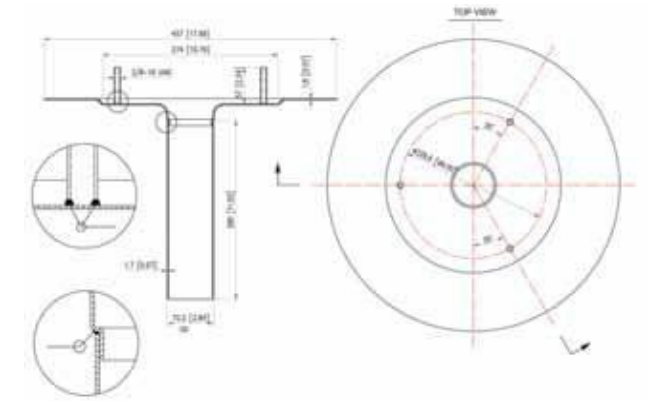
5 3/4" Aluminum Flat Deck Drain



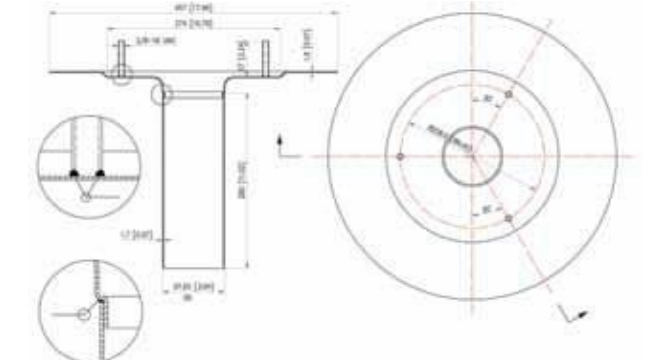
1 3/4" Aluminum Flat Deck Drain



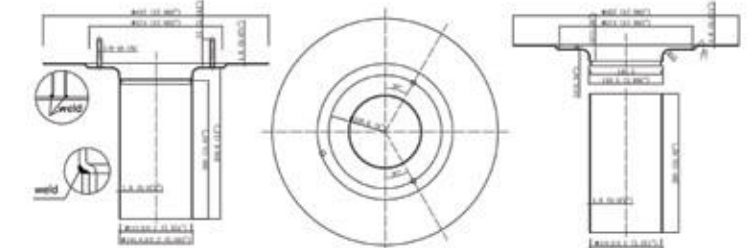
2 3/4" Aluminum Recessed Deck Drain



3 3/4" Aluminum Recessed Deck Drain



5 3/4" Aluminum Recessed Deck Drain





NEW CONSTRUCTION ALUMINUM DRAIN

features

DOME

- ✓ Foundry cast heavy duty aluminum dome
- ✓ Available with Platinum Fixed Dome
- ✓ 33 weir slots for maximum water flow on both styles
- ✓ 3 bolt design for efficient installation
- ✓ Vandal resistant and contractor friendly

FLANGE / CLAMPING RING

- ✓ Heavy cast aluminum construction
- ✓ 9 drainage channels for full drainage
- ✓ Flange designed for optimum seal with roof flashing
- ✓ Reversible to allow for elevation drainage options

DRAIN DECK and STEM

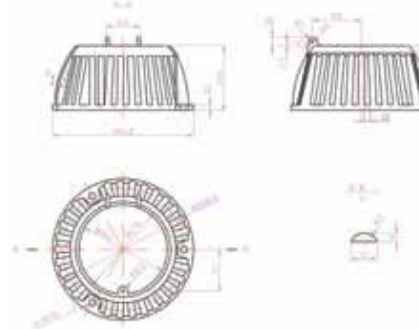
- ✓ 1.8 mm thickness, 6063 T-5 grade premium aluminum for stem and 1060 pure alum for deck
- ✓ Aluminum welded stem to deck with overlapping seams for superior strength **Platinum Exclusive**
- ✓ Aluminum Argon Arc welded bolts to deck for solid weld fusion
- ✓ 3/8" T-6, 6061 grade aluminum bolts with (6) stainless steel nuts
- ✓ Code approved CSA-B79
- ✓ Available in New Construction sizes 2", 3", 4" and 6" in Flat Deck and in sizes 3", 4" and 6" in Recessed Deck
- ✓ Flat Deck has 8 degree bevelled edge for better adhesion and added strength

What Our Customers Have To Say ...

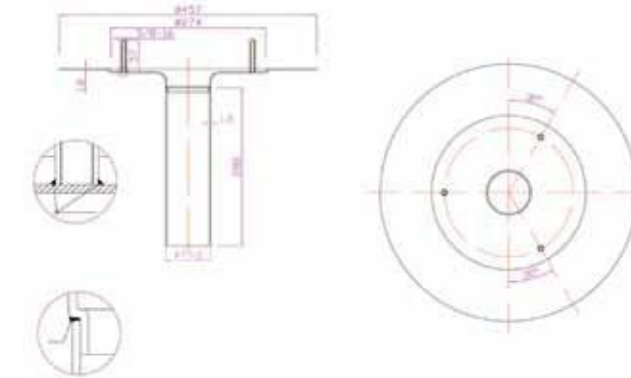
"I have been involved in the roofing industry for the past 27 years and these new Platinum brand aluminum new construction drains are one of the highest quality I've seen and by far the best value of any on the market."

Manuel Bandeira, Viana Roofing and Sheet Metal Limited

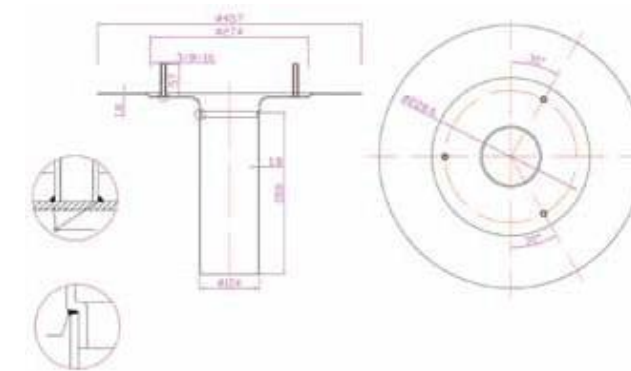
Aluminum Flip Top Dome



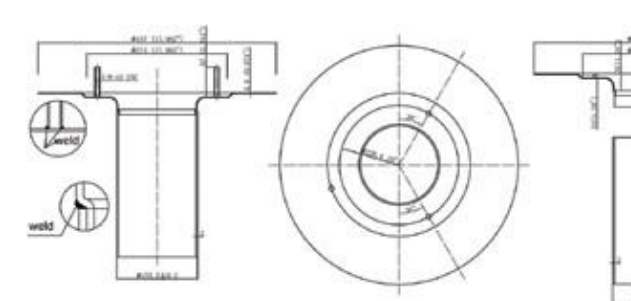
3" Aluminum New Construction Recessed Deck Drain



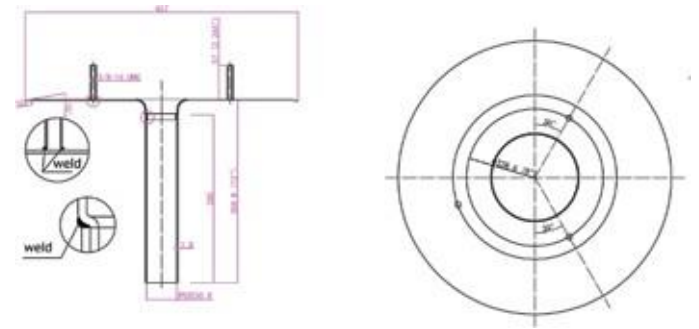
4" Aluminum New Construction Recessed Deck Drain



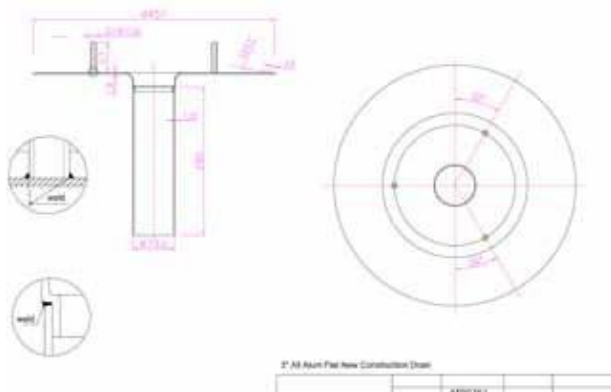
6" Aluminum New Construction Recessed Deck Drain



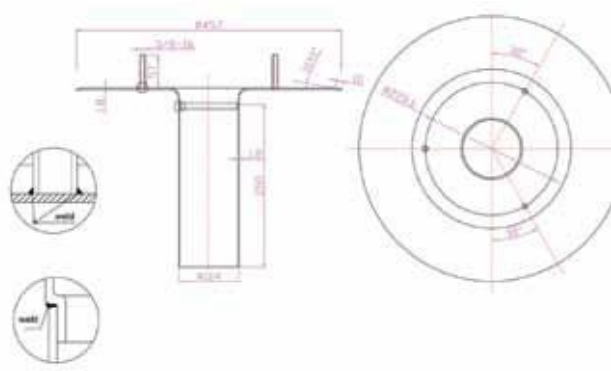
2" Aluminum New Construction Flat Deck Drain



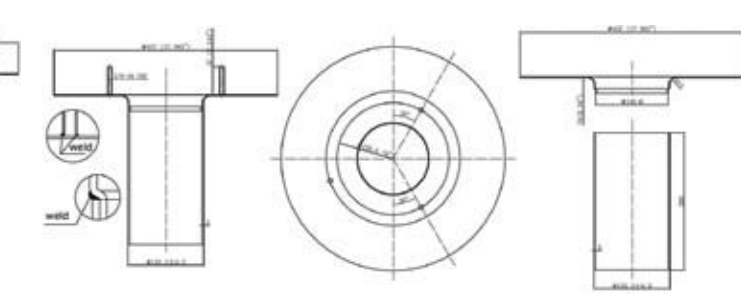
3" Aluminum New Construction Flat Deck Drain



4" Aluminum New Construction Flat Deck Drain



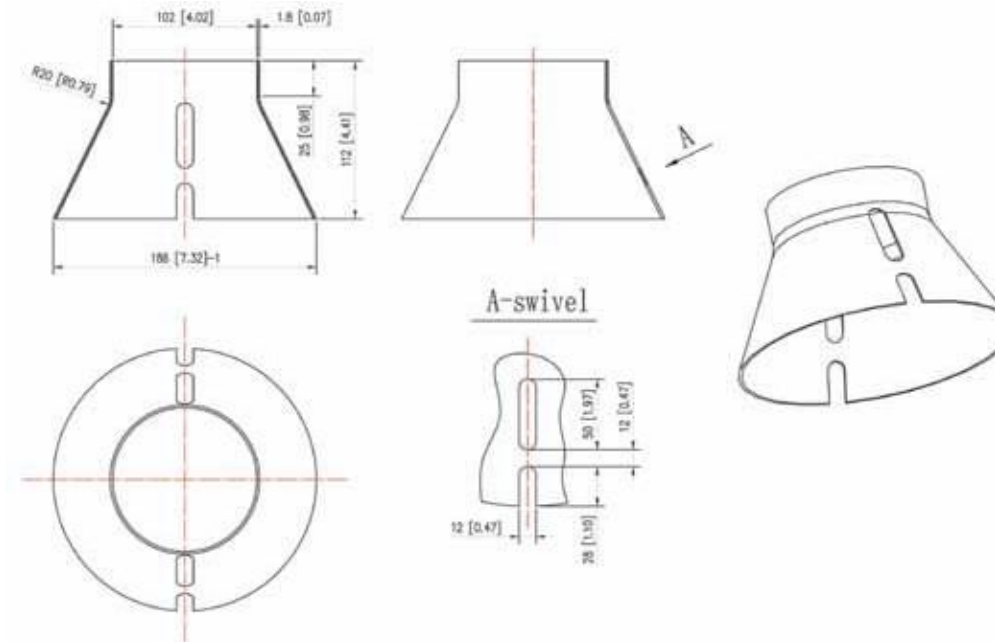
6" Aluminum New Construction Flat Deck Drain



Flow Control

FLOW CONTROL
features

- ✓ Platinum Flow Controls are used to control roof water drainage, if necessary, when storm water flow rates are restricted by municipal regulation
- ✓ Platinum Flow Controls are made of .07" heavy duty spun aluminum
- ✓ Drainage flutes are located on both sides and a 4" diameter top opening when head of water exceeds 4.41" flow control height
- ✓ Side drainage flutes designed to restrict water flow and comply to municipal regulations
- ✓ Simple and easy to install
- ✓ Fits all styles and sizes of Platinum Copper and Aluminum drains



*Platinum Flow Control drain insert will perform as a drain restrictor with the following performance:
Fits all sizes of Platinum copper and aluminum drains (not economy drains)*

Under a 4-in. head of water	40 GPM
Under a 3-in. head of water	30 GPM
Under a 2-in. head of water	20 GPM
Under a 1-in. head of water	10 GPM

What Our Customers Have To Say ...

“Flow controls limit excessive roof water drain off during heavy downpours and these Platinum brand flow controls are well designed and effective.”

Dave Skinner, Tri-Tech Weatherproofing Services

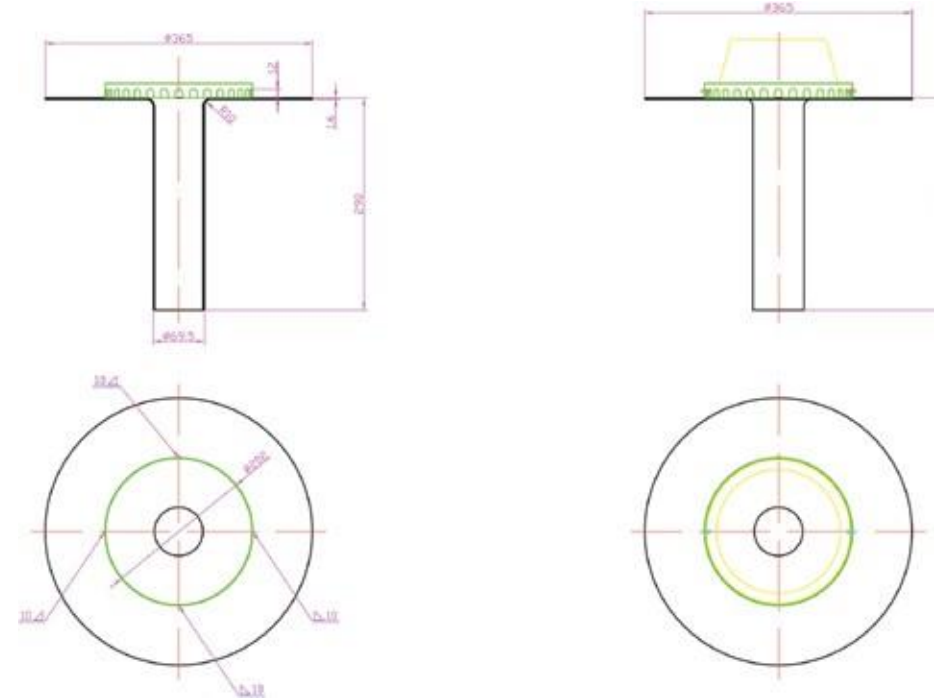


ECONOMY ALUMINUM DRAIN

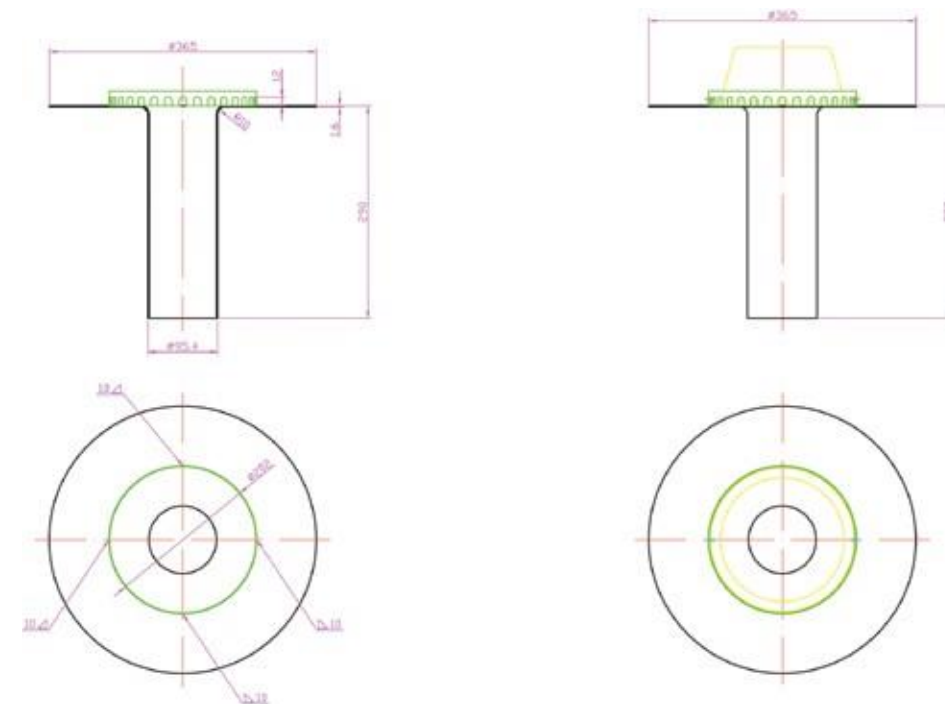
features

- ✓ One piece spun aluminum flat deck drain with 14" flange
- ✓ 1.6mm thickness stem and deck
- ✓ Spot welded aluminum drainage collar with 2 screws to fasten strainer
- ✓ Complete with TPO drain dome and 2 screws
- ✓ 12" drain stem length
- ✓ Ideal for temporary or permanent use

Economy 2 3/4" Aluminum Drain



Economy 3 3/4" Aluminum Drain



What Our Customers Have To Say ...

"A quality drain suited for the small residential flat roofs or as a temporary roof drain."

Darrel Henderson, BTC Group

Aluminum Temporary Drain Deck and Stem

ALUMINUM TEMPORARY DRAIN DECK AND STEM
features

- ✓ 1 piece spun aluminum drain
- ✓ Available in 2 3/4" and 3 3/4" stem diameter
- ✓ Designed to fit drain seal inserts
- ✓ 14.38" wide deck
- ✓ 12" long drain stem
- ✓ 1/16" aluminum material thickness
- ✓ Boxed 5 per box
- ✓ Ideal economical temporary drain

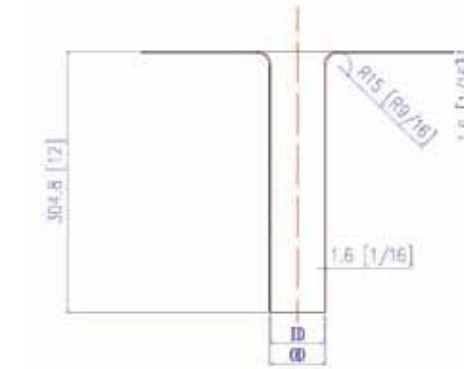


EAFUN-275

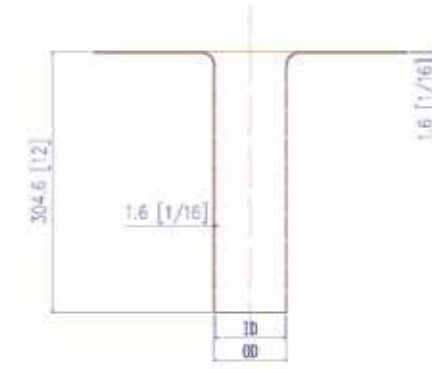


EAFLAT-275

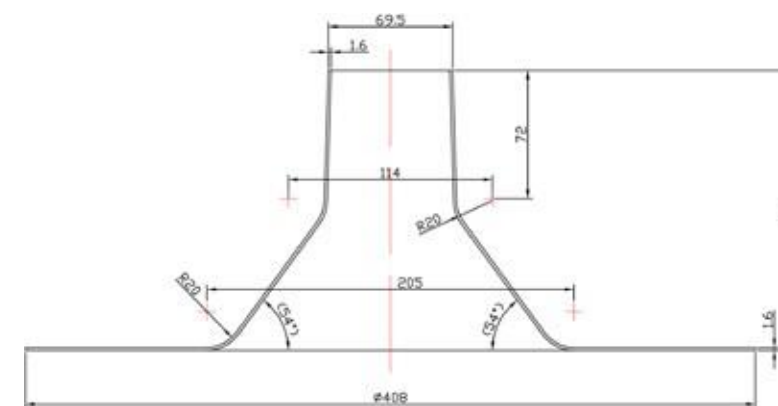
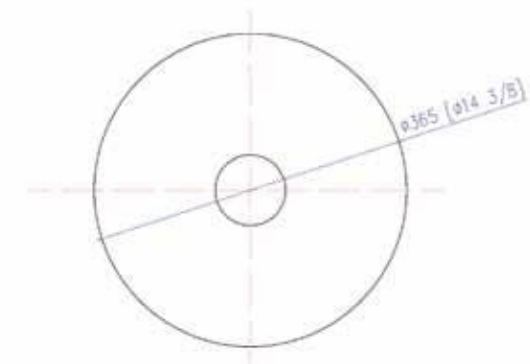
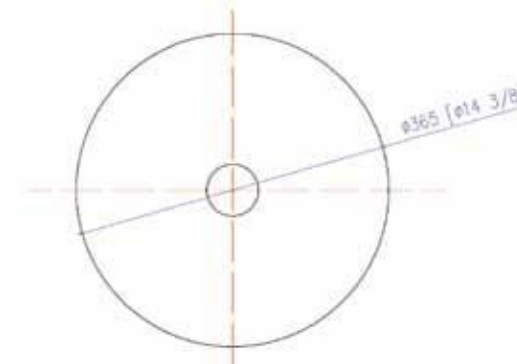
- ✓ 1 piece spun aluminum drain
- ✓ Available in 2 3/4" stem diameter with either Flat deck or Funnel deck
- ✓ Also 3" EA-300 and 4" EA-400 sizes available in Flat deck style
- ✓ Designed to fit drain seal inserts
- ✓ 15.38" wide deck
- ✓ 6" long drain stem
- ✓ 1/16" aluminum material thickness
- ✓ Boxed 5 per box
- ✓ Ideal for either retrofit or new construction applications providing a watertight seal with varying sizes of roof anchors from 1" through 4.8" diameters



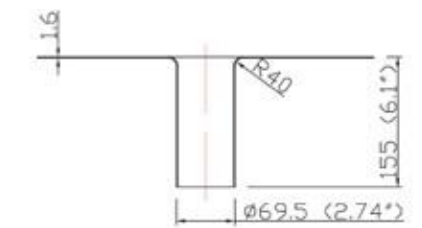
TEMPFA-275



TEMPFA-375



EAFUN-275



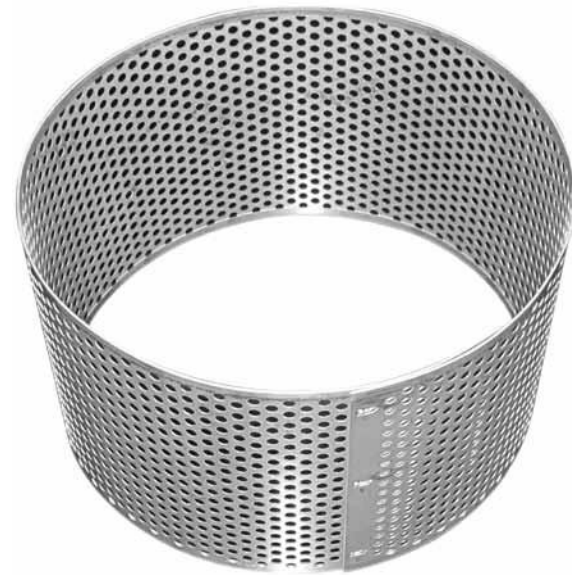
EAFLAT-275

What Our Customers Have To Say ...

"A quality drain suited for the small residential flat roofs or as a temporary roof drain."

Darrel Henderson, BTC Group

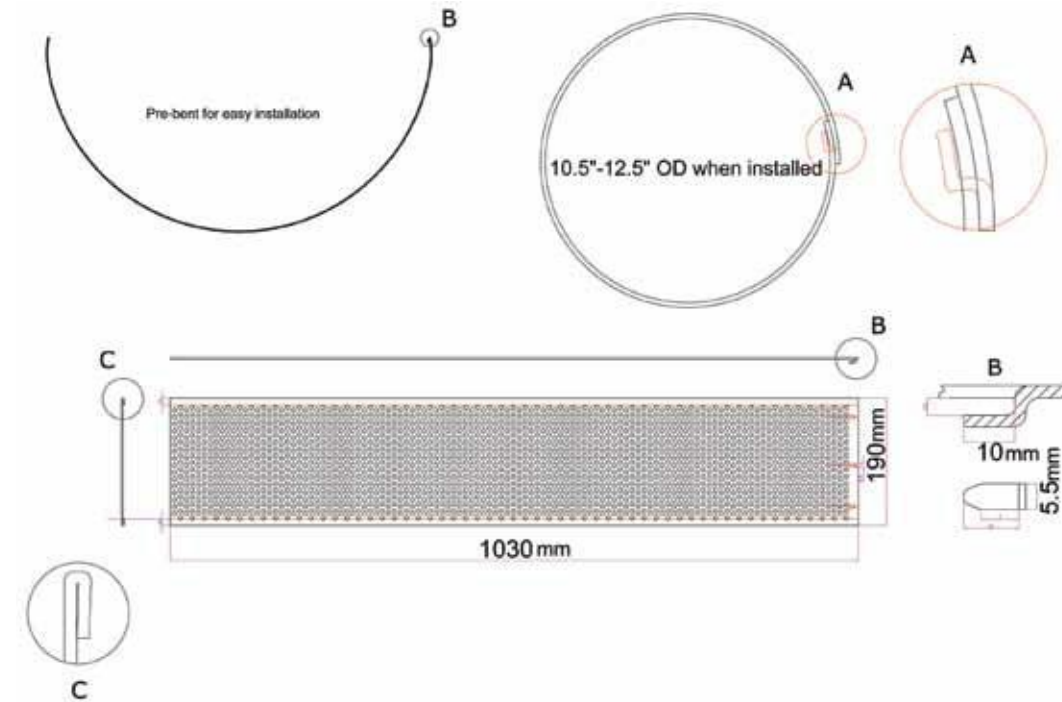
Platinum Ballast Guard



PLATINUM BALLAST GUARD

features

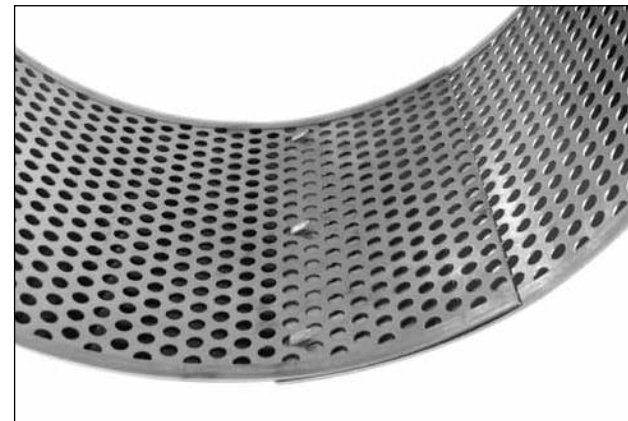
- ✓ Manufactured from premium 304 Grade, 22 gauge stainless steel
- ✓ Folded edges top and bottom for safe handling and installation
- ✓ Platinum engineered unique clip-secure design allows flexible size adjustment
- ✓ Fits dome diameter from 10.5" up to 12.5" perfectly
- ✓ Far easier to transport and store conveniently with 10 pieces per box
- ✓ 3 integral clips connect easily and securely for fast installation
- ✓ Machine drilled 1/4" holes representing 28% of total surface area for excellent drainage on inverted roofs
- ✓ Folded top and bottom edges will not cut or wear membranes

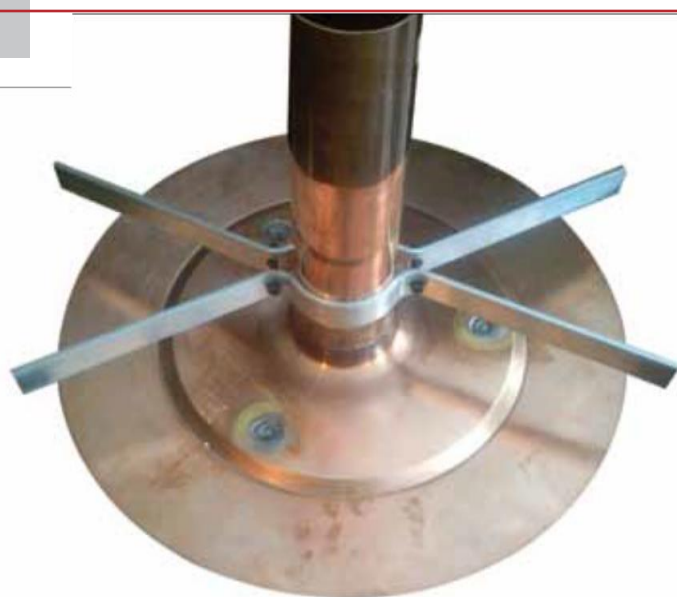


What Our Customers Have To Say ...

"What an ingenious idea! Finally someone has figured out a way to make these in high quality with a design that can be easily shipped, stored and adjusted to fit any drain dome. Well done Platinum!"

Dave Skinner, Tri Tech Weatherproofing Services





UNDER DECK CLAMP

features

- ✓ Constructed of premium heavy gauge aluminum 1" wide x 18" long x 4.7mm thick
- ✓ Designed for either 3", 4" or 6" New Construction drains
- ✓ Tested to withstand over 300 lb. pull test
- ✓ Complete with set of 2 Allen key bolts and nuts
- ✓ Strong, easy to install and fits all Platinum drains and most others
- ✓ Packaged 5 sets per box in either 3", 4" or 6"

Under-deck clamps are recommended to provide a secure, long lasting installation of the roof drain on all but poured-in-place installations. Roof drains must be firmly secured to the roof with an under-deck clamp, otherwise, due to snow loads, rain loads and regular expansion and contraction, the drain will work in and out of the roofing, causing roofing membranes to flex and fail.

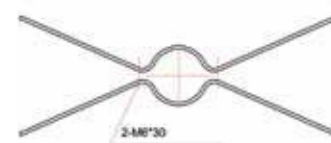
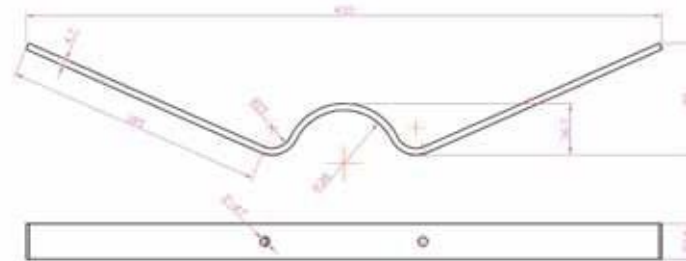


What Our Customers Have To Say ...

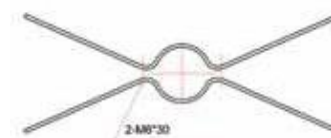
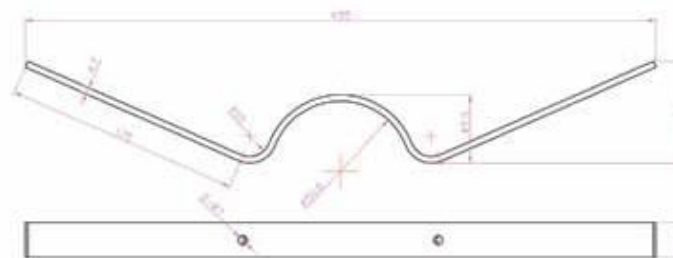
"These are very strong, easy to install and prevent any upward movement on 3", 4" and 6" New Construction drains. Nice to see an affordable accessory that works so well."

Dave Skinner, Tri Tech Weatherproofing Services

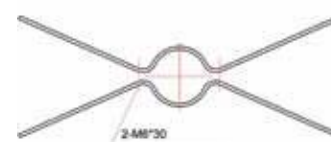
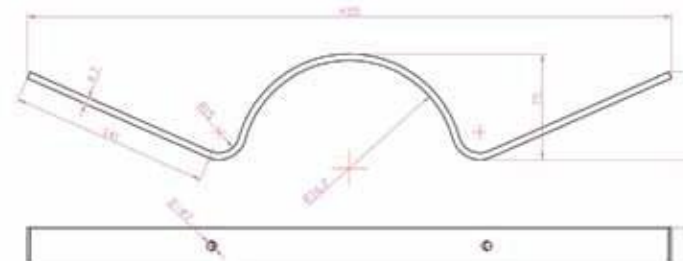
3" Under Deck Clamp



4" Under Deck Clamp



6" Under Deck Clamp



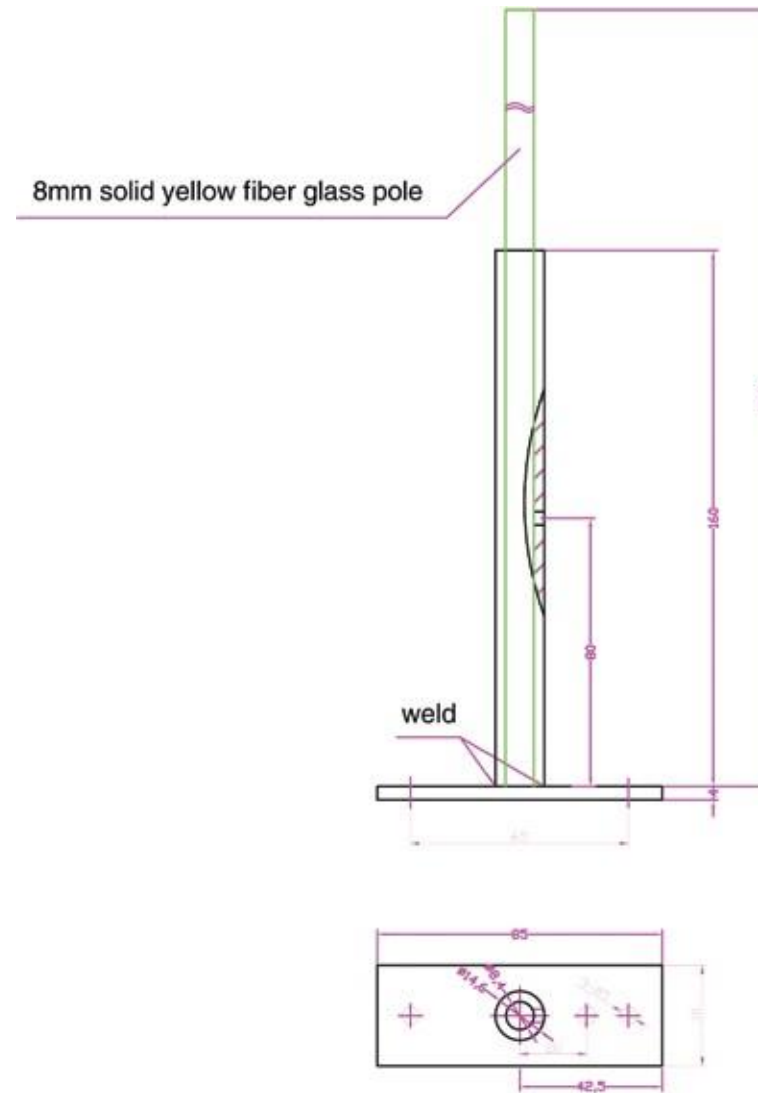
Gas Line Marker



GAS LINE MARKER

features

- ✓ Highly visible 4' fiberglass flexible pole
- ✓ Cast aluminum base secures solidly to gas line support base
- ✓ Fiberglass pole is safety yellow to match gas lines
- ✓ Ensures safety and visibility with drifted snow and snow removal
- ✓ Strong but flexible pole will not break



What Our Customers Have To Say ...

“These are a very clever idea and provide a safer environment for both traffic and maintenance on a roof. Well done again Platinum.”

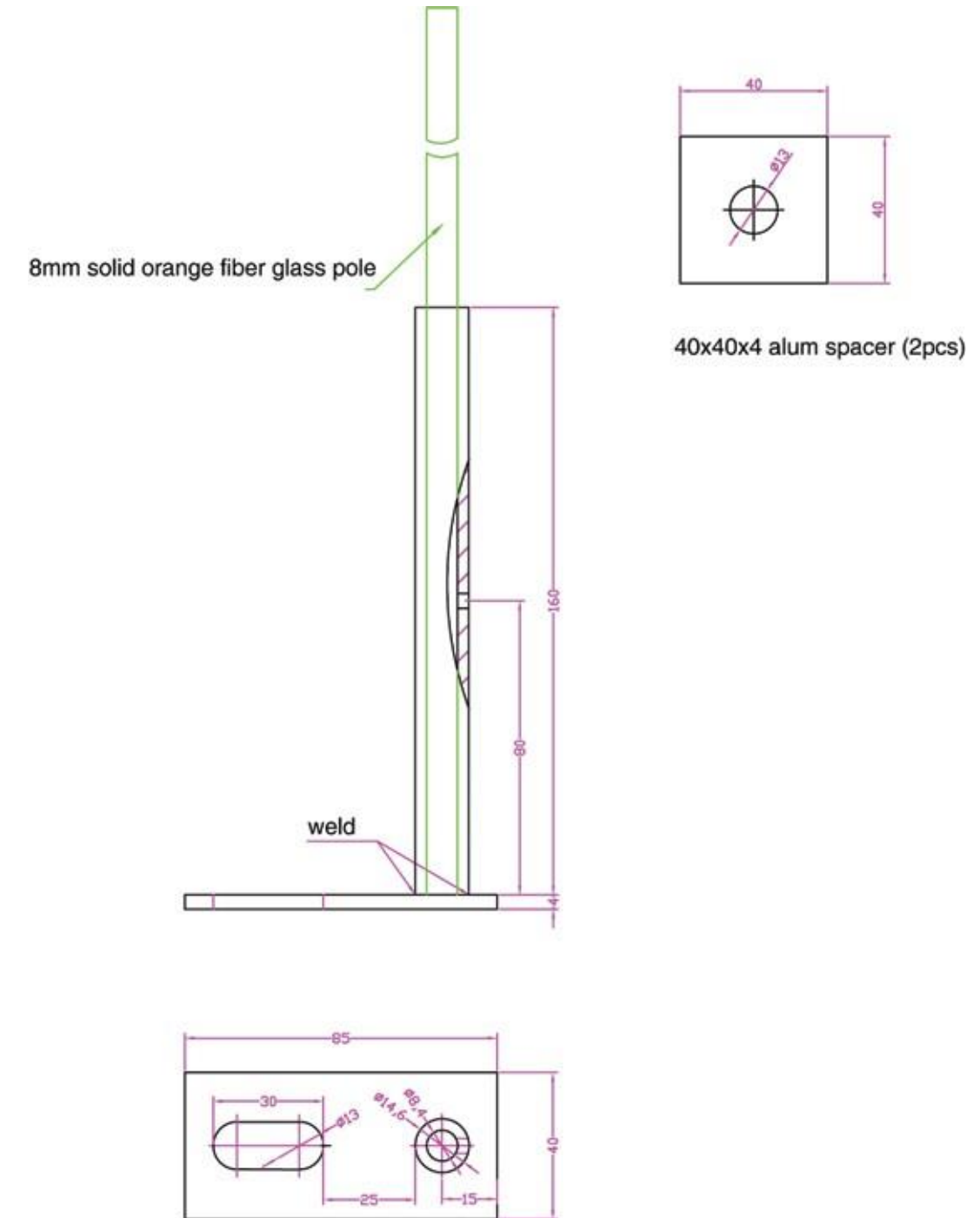
Darrel Henderson, BTC Consulting Group

Drain Dome Marker

DRAIN DOME MARKER

features

- ✓ Highly visible 4' fiberglass flexible pole
- ✓ Cast aluminum bracket secures solidly to most roof drain bolts with spacers
- ✓ Fiberglass pole is safety orange to ensure high visibility
- ✓ Ensures safety, visibility and ease of maintenance with drifted snow
- ✓ Strong but flexible pole will not break
- ✓ Makes drain maintenance easier and faster in winter conditions
- ✓ Simplified maintenance helps extend roof life



What Our Customers Have To Say ...

“These are a very clever idea and provide a safer environment for both traffic and maintenance on a roof. Well done again Platinum.”

Darrel Henderson, BTC Consulting Group

PLATINUM DRAIN SEAL

features

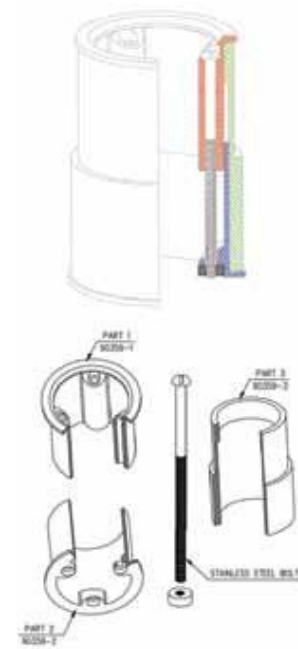
- ✓ Platinum Drain Seals are manufactured with durable nylon and EPDM rubber and can be compressed to form a secure seal between roof drain stems and existing plumbing drains
- ✓ The flexible rubber is expanded by tightening internal stainless steel screws thereby stopping water leakage at the connection in the event of water backup in the drain
- ✓ Available in sizes 3", 4", 5" and 6"
- ✓ Are an ideal fit with all Platinum Retrofit Copper drains
- ✓ Manufactured with highest quality materials and exact tolerances
- ✓ Easy to install and a watertight connection
- ✓ 3 independent stainless steel bolts prevent "spinning" seal during installation
- ✓ Hardened brass base prevent stripping
- ✓ 1 3/4" to 2" Coupling with stainless steel MJ Clamps for secure retrofit connection



What Our Customers Have To Say ...

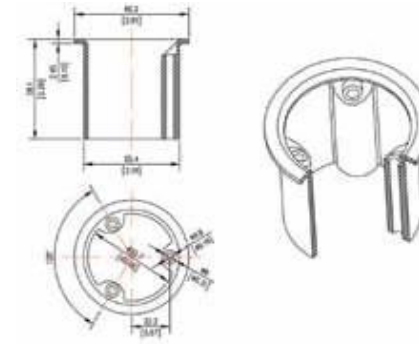
"I've heard your jingle ... Platinum has no equal. When it comes to quality and price, you are absolutely right. You can tell the first time you install these seals that they are a premium brand at an unbeatable price."

Peter Thomas, Thomas Roofing

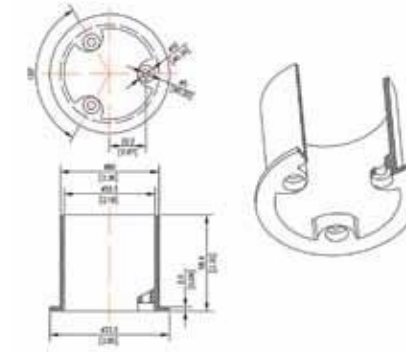


Hardened Brass Base

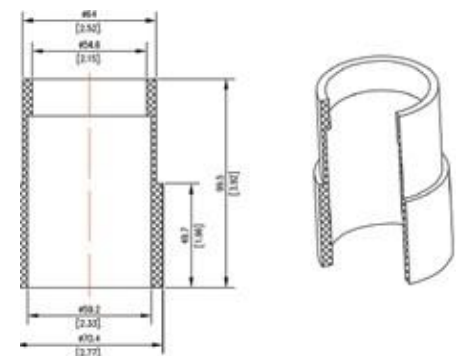
3" SEAL - Part 1



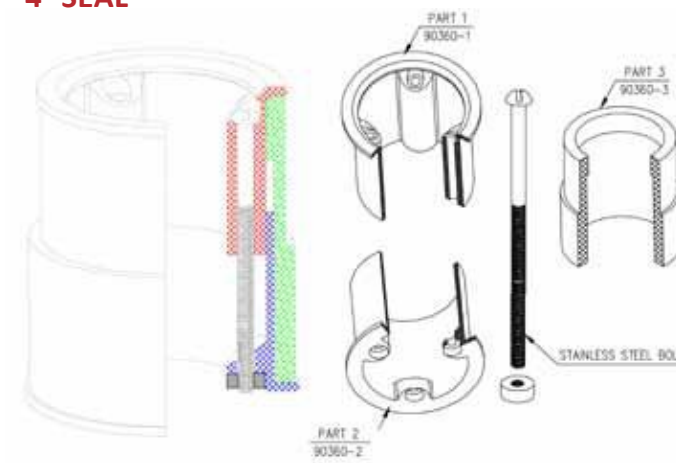
3" SEAL - Part 2



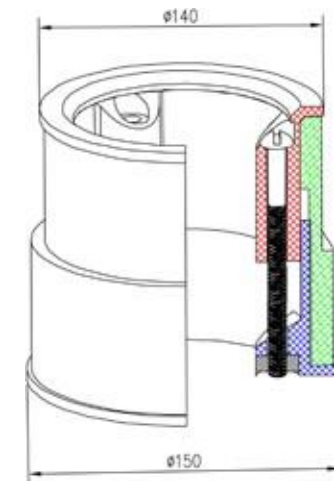
3" SEAL - Part 3



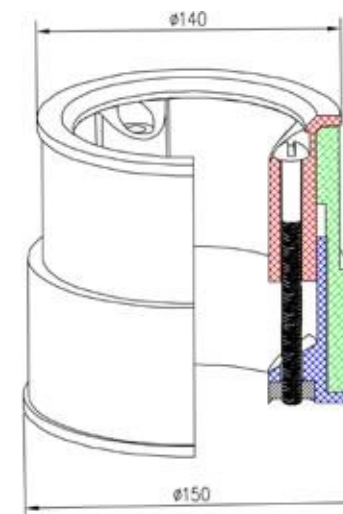
4" SEAL



5" SEAL



6" SEAL





PLATINUM VENT STACK

With 3" or 4" Aluminum or Vandal Proof Cap
features

- ✓ Tested and certified by QAI Labs for CSA B-272
- ✓ Seamless spun aluminum
- ✓ 12.6" tall without cap or 18"
- ✓ Stack top opening 4.88"
- ✓ Available with either 3" or 4" VS Cap or Vandal Proof Cap
- ✓ Caps are spun aluminum and attached to vent stack (screwed)
- ✓ Vent Stack flashing to be used on vent pipes such as Soil Stacks or Sanitary pipes
- ✓ Heavy grade quality aluminum - no comparison to other brands
- ✓ All Platinum aluminum products are spun using soap as a lubricant and then washed
- ✓ No oil residue as with others

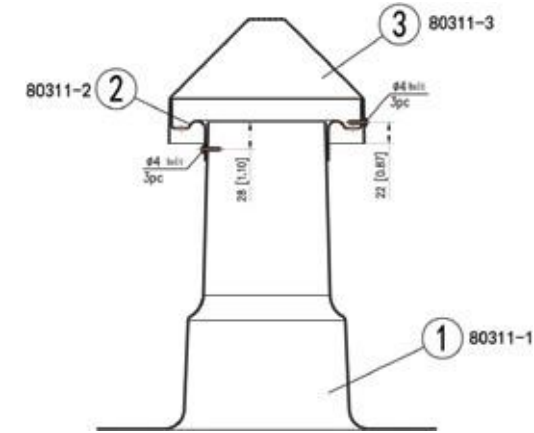


What Our Customers Have To Say ...

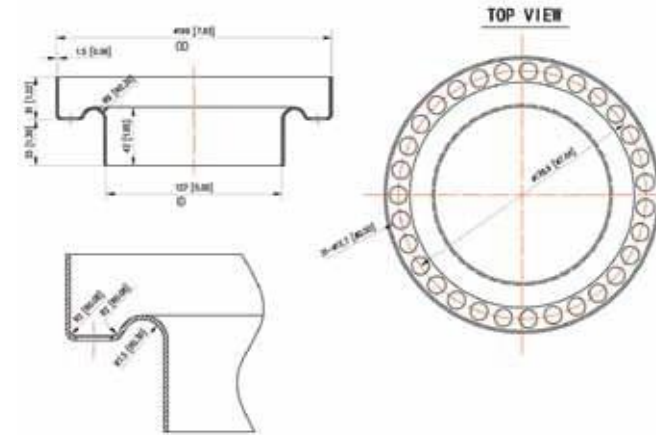
"These stacks are top quality, premium grade aluminum and the best value I have ever seen on the market."

Advanced Roofing Inc.

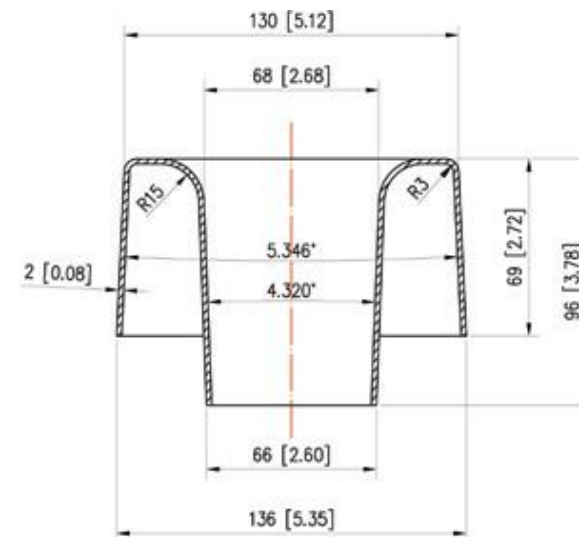
Vent Stack with Vandal Proof Cap



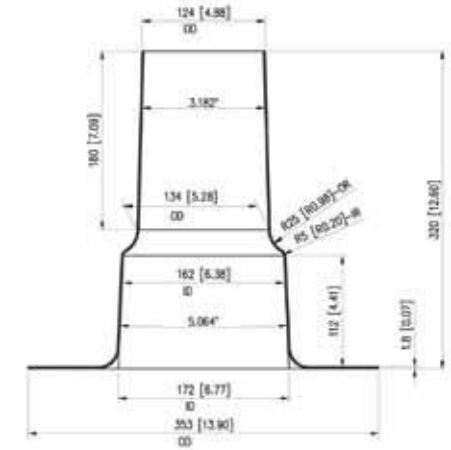
Vent Collar



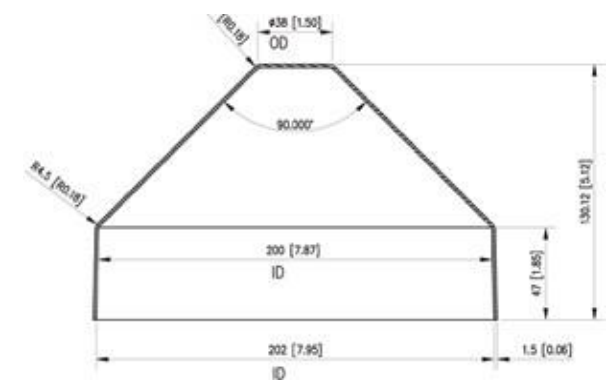
3" Vent Stack Cap



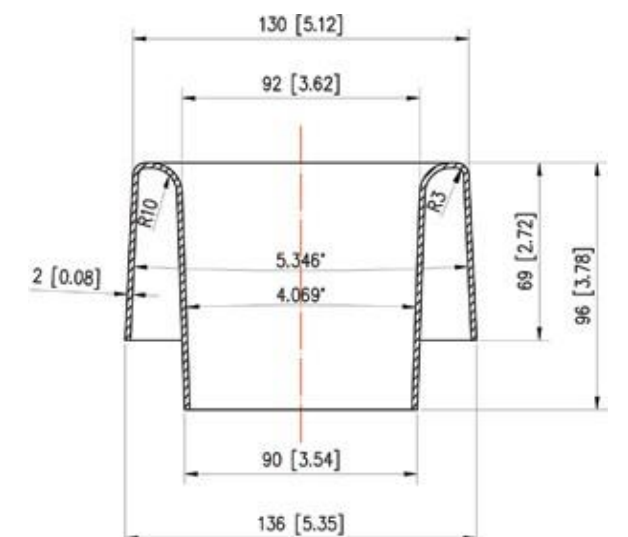
Vent Base



Vandal Proof Cap



4" Vent Stack Cap



Insulated Vent Stack



INSULATED PLATINUM VENT STACK

With 3" or 4" Aluminum or Vandal Proof Cap
features

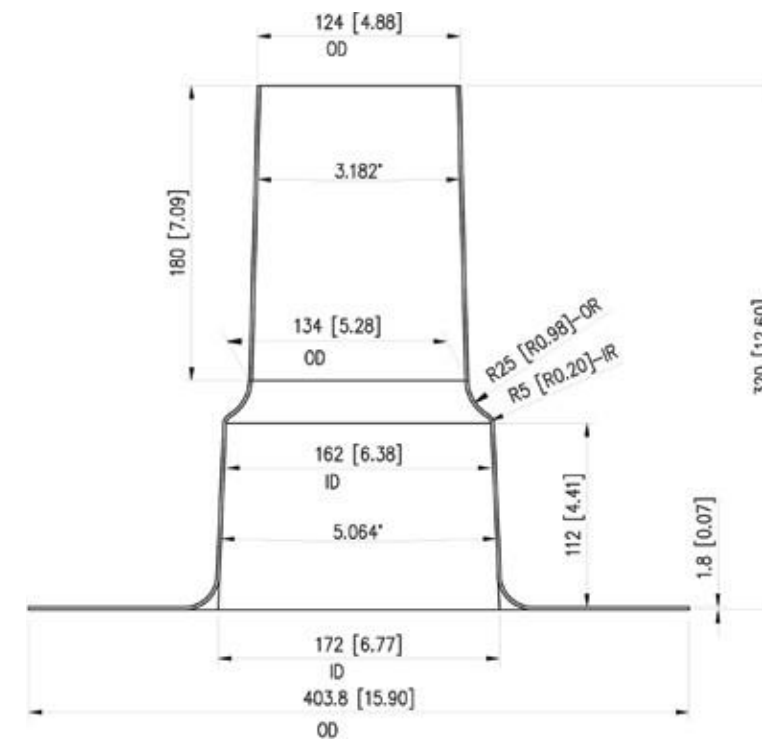
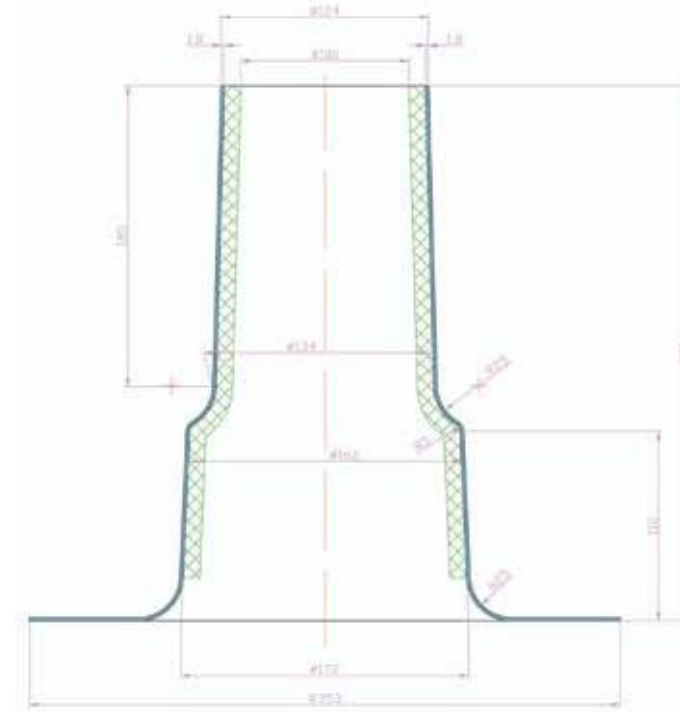
- ✓ Tested and certified by QAI Labs for CSA B-272
- ✓ Heat mold injected polyurethane foam lined with 9.2 mm (.363") insulation thickness
- ✓ Uniform rigid insulation thickness on all interior walls
- ✓ Stack made of seamless HD spun aluminum
- ✓ .07" (1.8mm) aluminum material thickness
- ✓ 12.6" (320mm) stack height without cap
- ✓ Stack top opening I.D. 102 mm or 4.01" between foam walls
- ✓ Available with either 3", 4" or Vandal Proof cap
- ✓ Caps are spun aluminum and attached to vent stack (screwed)
- ✓ Vent Stack flashing to be used on vent pipes such as Soil Stacks or Sanitary pipes
- ✓ Heavier grade quality aluminum than the other brands



What Our Customers Have To Say ...

"These stacks are top quality, premium grade aluminum and the best value I have ever seen on the market."

Advanced Roofing Inc.





OVER SIZE VENT STACKS

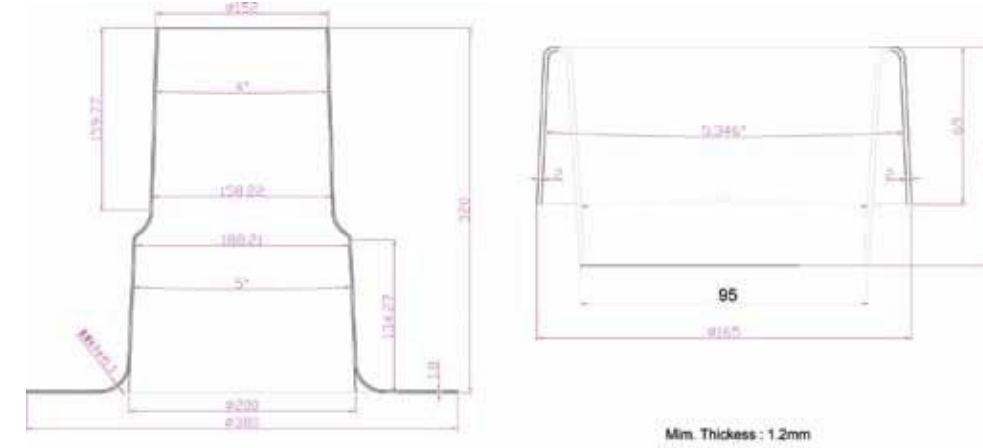
features

- ✓ Premium gauge spun aluminum oversize base with stack top I.D. of 5.75" on VSB6 and 7" I.D. on VSB7
- ✓ 12.7" overall height of base with available 3.75" VS
- ✓ Cap and 3" VS Cap or 6" Cap with VSC6
- ✓ Designed for larger plumbing vent requirements
- ✓ Seamless spun aluminum construction
- ✓ 15" wide deck flange for strong adhesion
- ✓ Heavier grade quality aluminum than the other brands

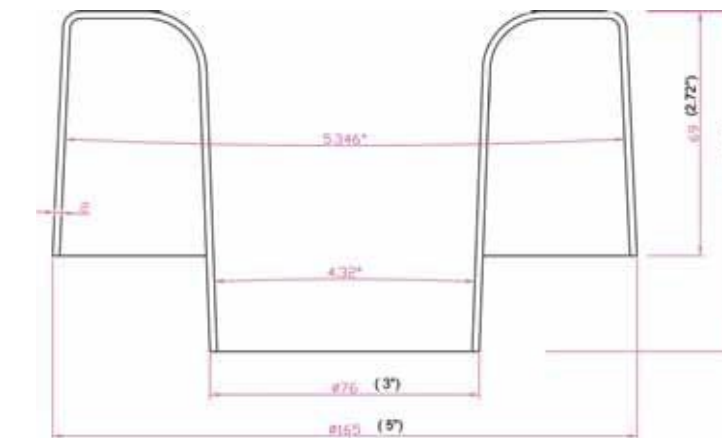
features

- ✓ Seamless Spun alum base with 7" I.D. top opening
- ✓ 1.8 mm material thickness
- ✓ Base 14.96" high
- ✓ Designed for extra large plumbing vent applications
- ✓ Separate vent stack cap with 6" opening VCS7
- ✓ 5 per box

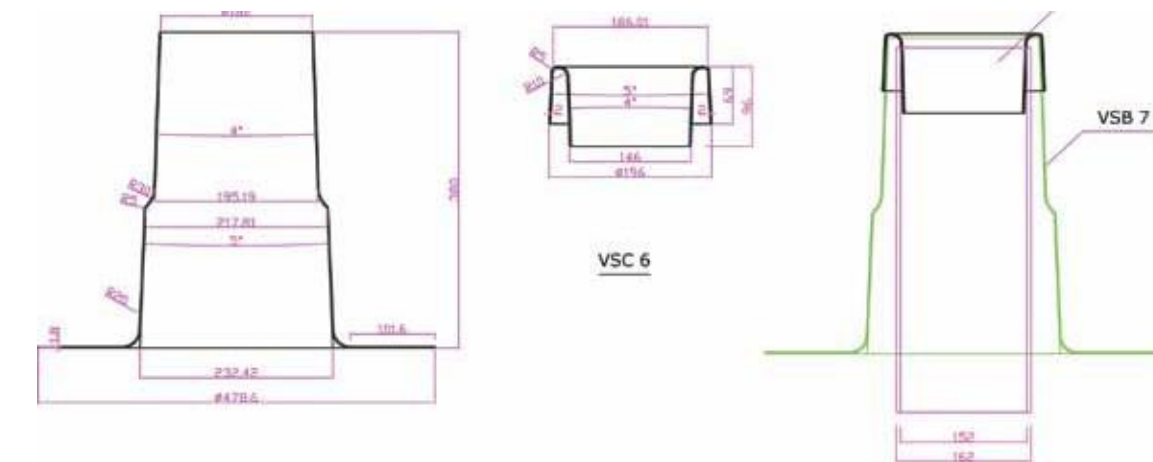
Over Size Vent Stack



3" Vent Stack Cap



7" Vent Stack with Cap



What Our Customers Have To Say ...

"We asked for a larger size vent stack with cap and Platinum delivered. Merci guys."

Eric-Convoy Supply

INSULATED ONE-WAY BREATHER

features

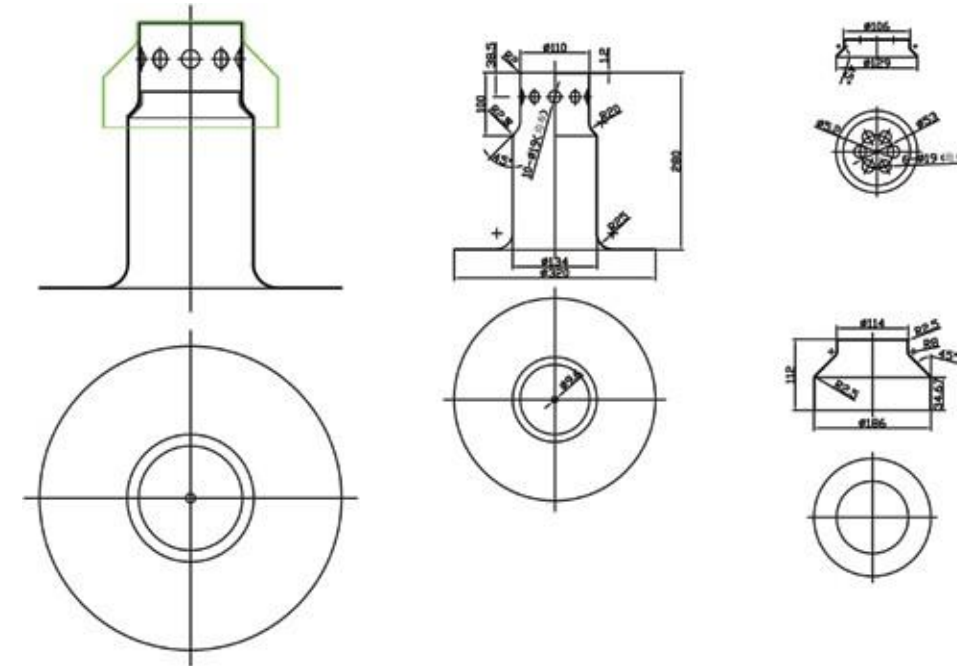
- ✓ 11" high with 12.5" wide deck flange
- ✓ 5" I.D. to aluminum wall with .8" insulation thickness
- ✓ 3.5" I.D. between insulated walls
- ✓ Vented 7" wide cap with integral bug screen
- ✓ Made from premium gauge spun aluminum
- ✓ Secured vandal proof cap prevents rain or snow entry
- ✓ Reduces moisture and trapper air within roofing system to prolong roof life
- ✓ 3/4" thickness polyurethane foam insulated walls
- ✓ One-way roof vent with an internal flexible one-way diaphragm
- ✓ Placement depends on the venting area of the breather. With a 3.5" (89 mm) throat opening it is recommended that one breather be installed every 1,000 square feet (92.9 square metres) of roof area

TWO-WAY BREATHER

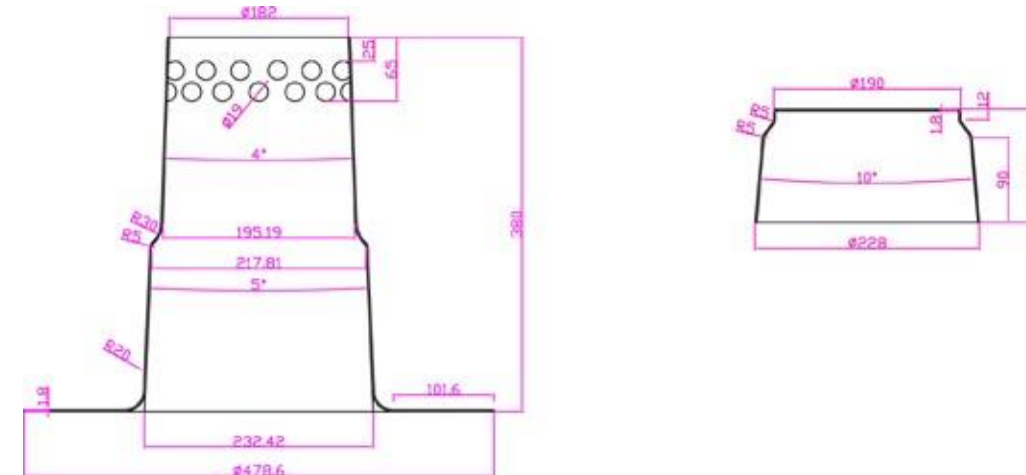
features

- ✓ two piece spun aluminum design with cap
- ✓ pre-drilled holes allow superior venting and air pressure equalization
- ✓ cap secured to provide water tight two way ventilation
- ✓ 14.96" high with 4.5" cap overlap
- ✓ 1.8 mm material thickness
- ✓ 5 per box

Insulated One-Way Breather



Uninsulated Two-Way Breather



What Our Customers Have To Say ...

"Finally a premium quality, functionally designed one way breather at a very affordable price. And no question these will extend roof life where appropriately needed"

J. Valdes-Intl. Consulting

PLATINUM TALL CONES

features

- ✓ Spun aluminum cones without welded seams
- ✓ Available in sizes 1 1/2", 2", 3", 4", 5", 6" in .06mm material thickness
- ✓ Available in sizes 7", 8", 9", 10", 11", 12" in .08mm material thickness
- ✓ Available in sizes 14", 16", 18", 20", 22" and 24" in 2mm material thickness
- ✓ Accommodates standard tall cone collars
- ✓ High quality and heavier gauge aluminum than most other brands
- ✓ Made from premium grade 1060 aluminum
- ✓ Simple and easy to install

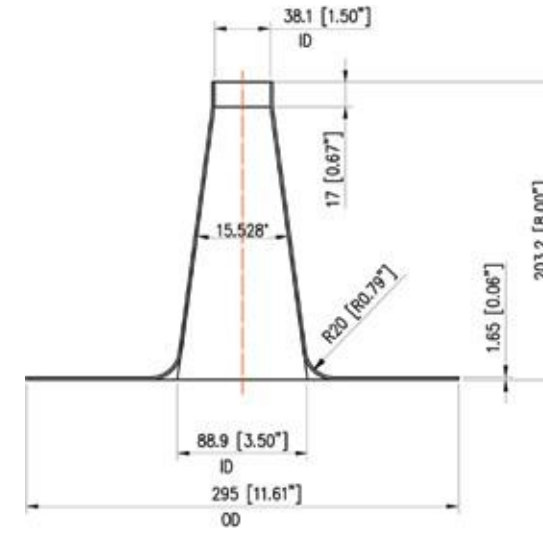


What Our Customers Have To Say ...

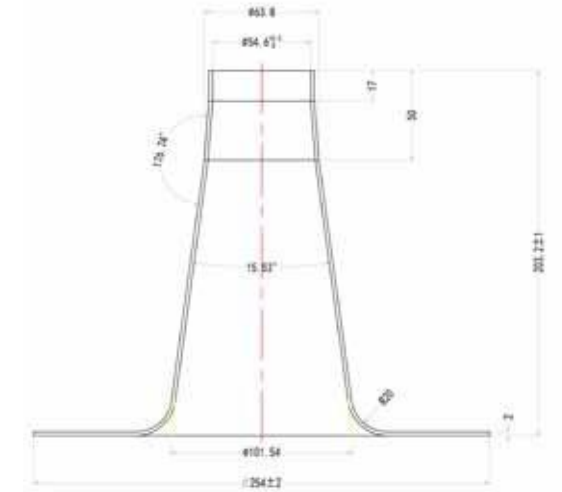
"I've been around the commercial roofing industry for more years than I remember and never have I seen products like Platinum drains and vent stacks. Our guys can drop them, kick them and they are tough and precision made. Every application is a breeze to install, they install and work flawlessly and they save me big dollars. Am I ever glad to see a supplier like Platinum Roofing here today and here to stay."

Steve Murray, V.P., Atlas Apex Roofing

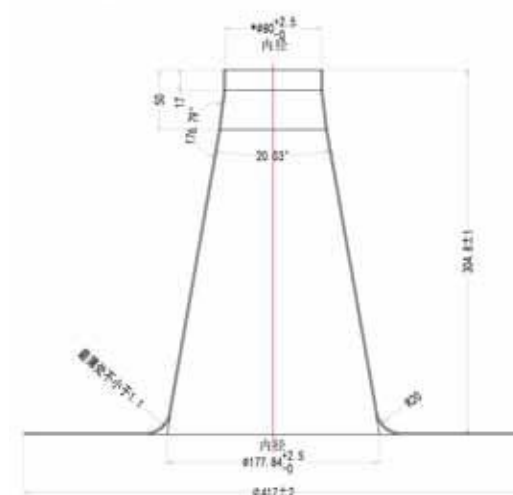
1 1/2" Cone



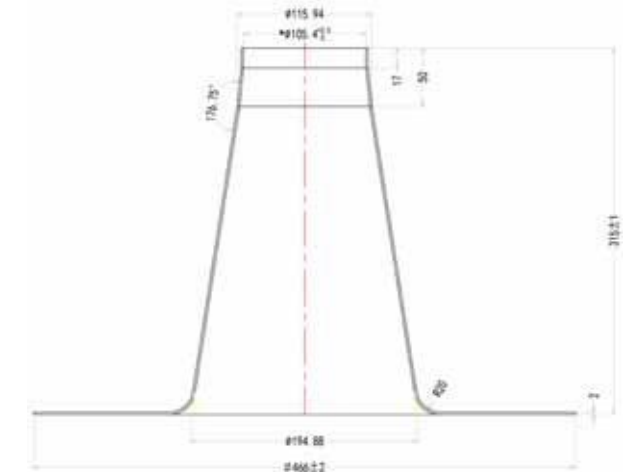
2" Cone



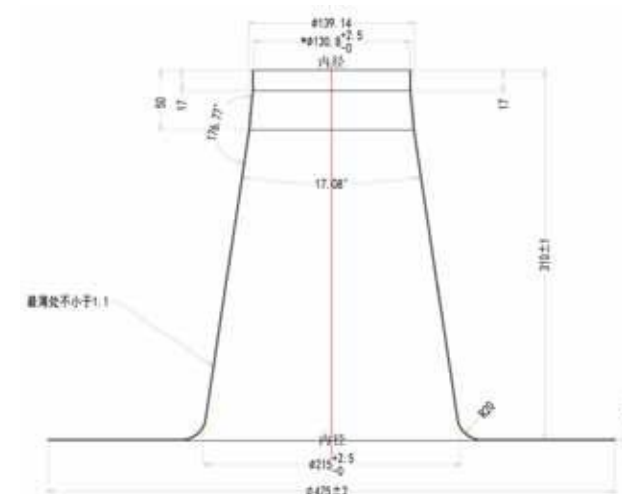
3" Cone



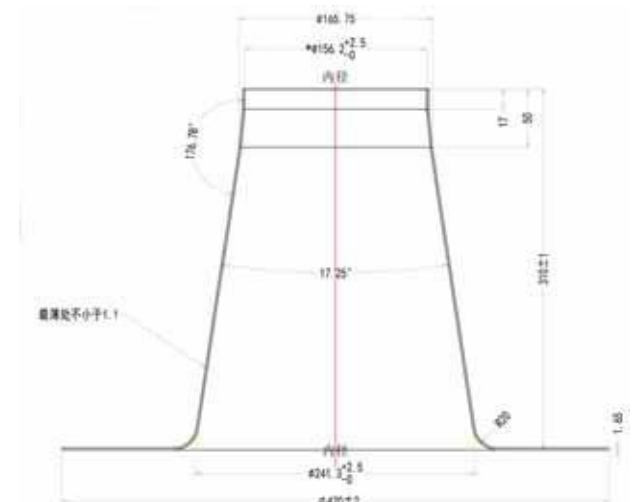
4" Cone



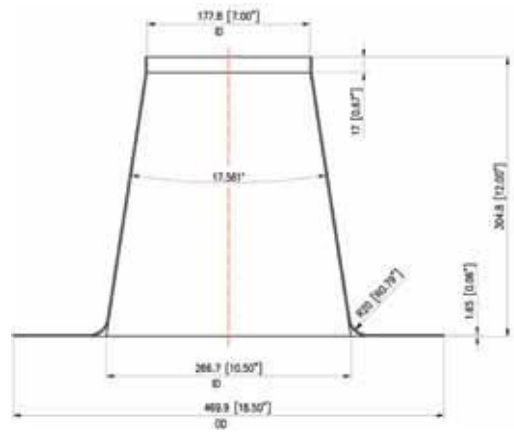
5" Cone



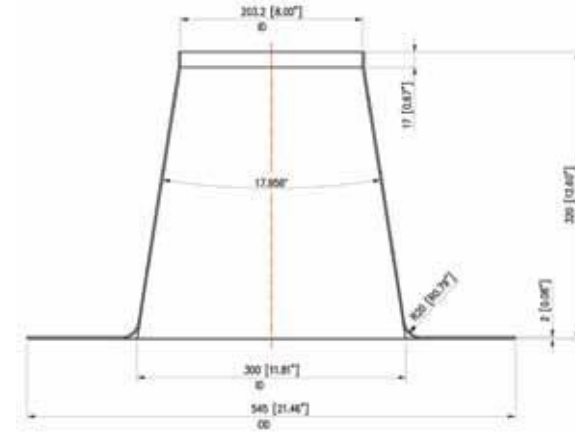
6" Cone



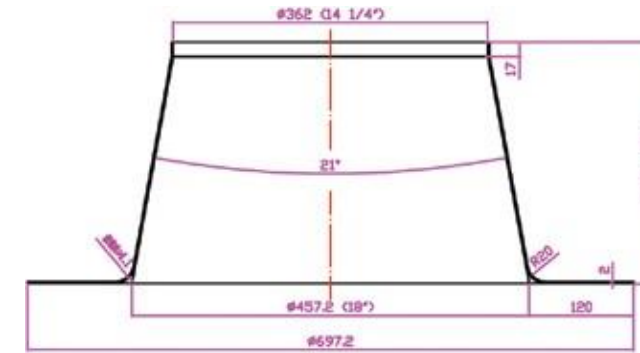
7" Cone



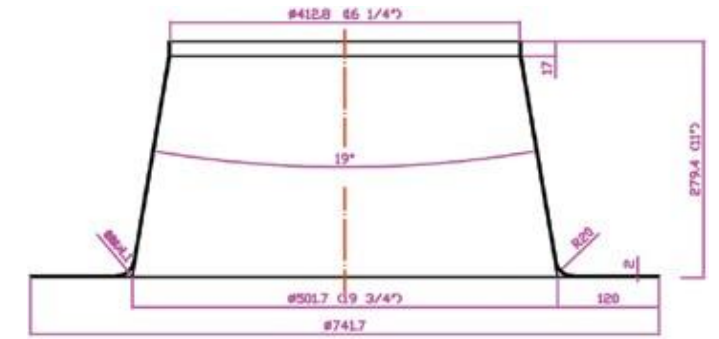
8" Cone



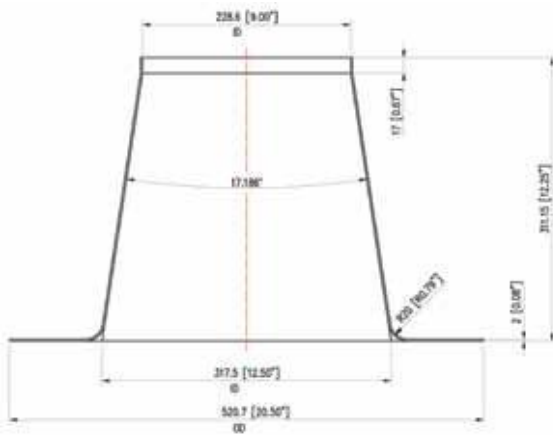
14" Cone



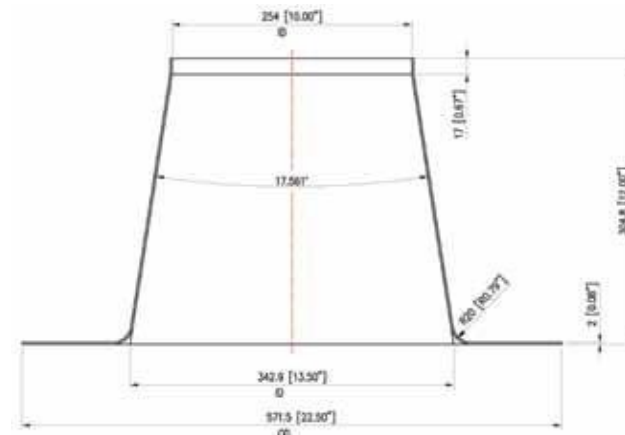
16" Cone



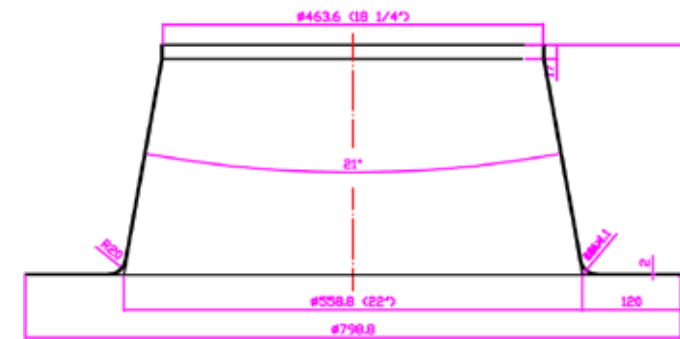
9" Cone



10" Cone



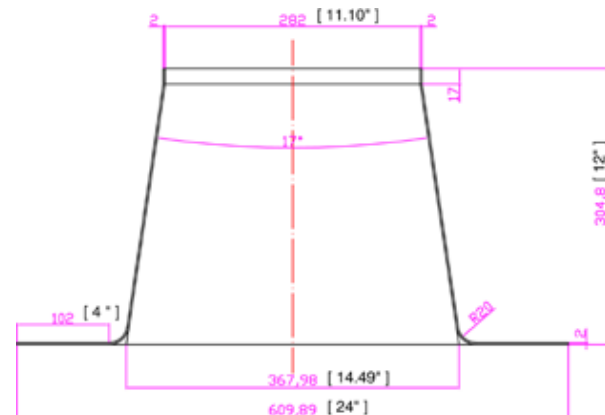
18" Cone



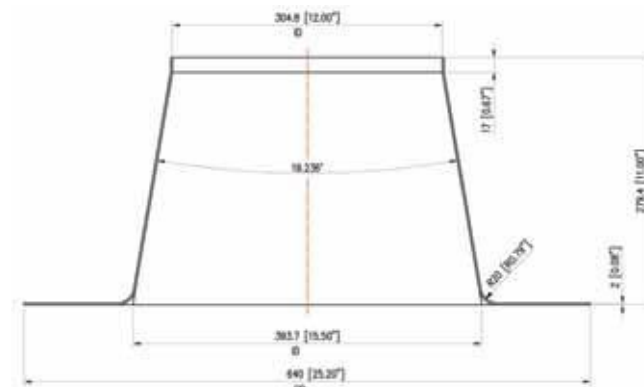
20" Cone



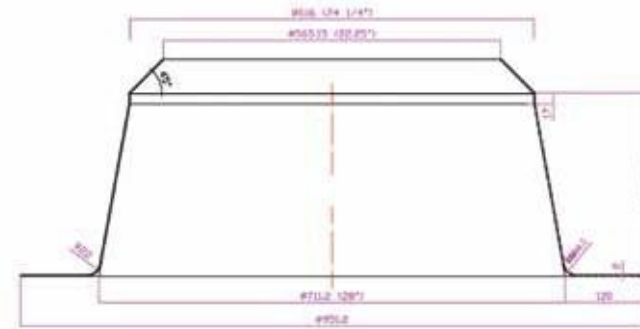
11" Cone



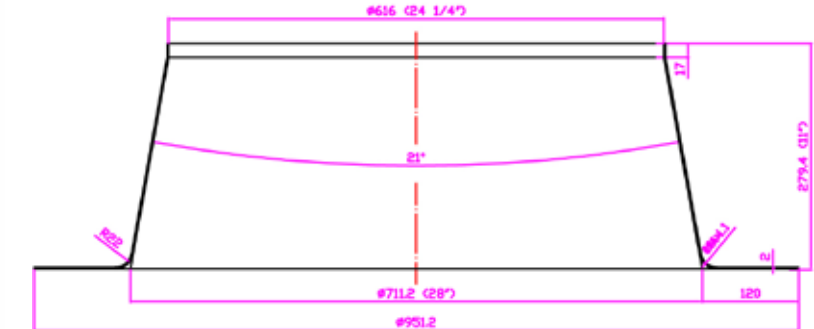
12" Cone



22" Cone



24" Cone



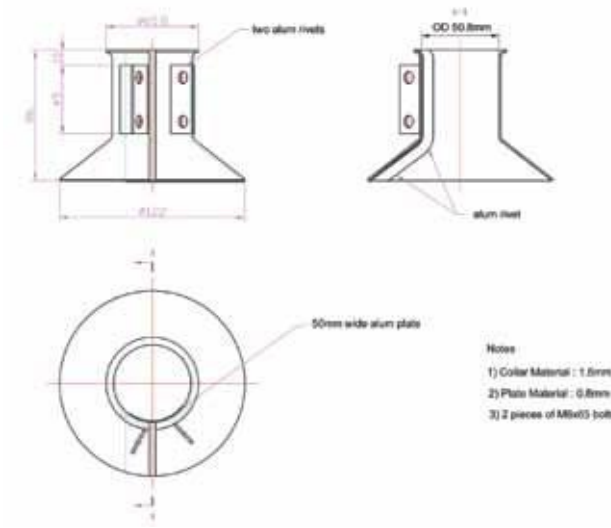
SPUN ALUMINUM STORM COLLAR

features

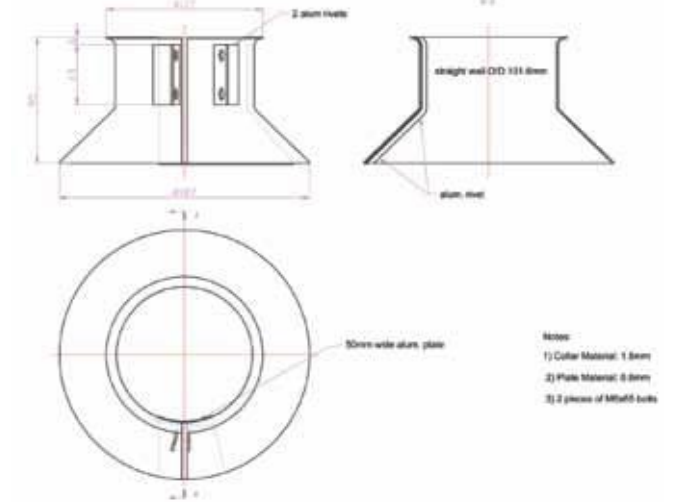
- ✓ Collar made from 1.8 mm aluminum
- ✓ Adjustable with 2 galvanized steel M6x65 or M6x130 bolts with nuts
- ✓ Vertical walls provide superior seal and flared out upper lip provides for ideal final seal
- ✓ Riveted adjustment plate is a continuous curved shape to allow full 360 degree seal
- ✓ Adjustment plate is a spun section in thinner .8 mm flexible aluminum
- ✓ Conveniently packaged to match tall cone box quantities
- ✓ Available in sizes 2", 4", 6", 8", 10" and 12" and adjustable to additional +1" pipe diameter



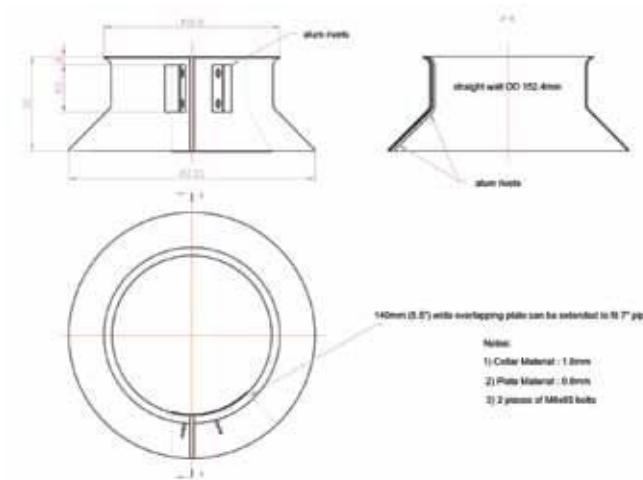
2" Storm Collar



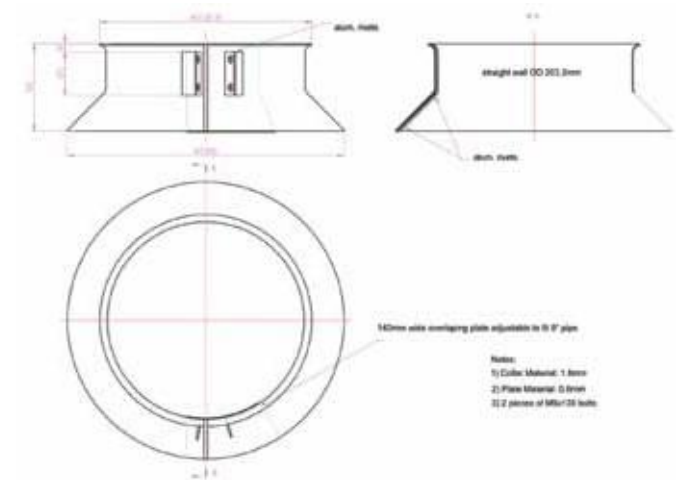
4" Storm Collar



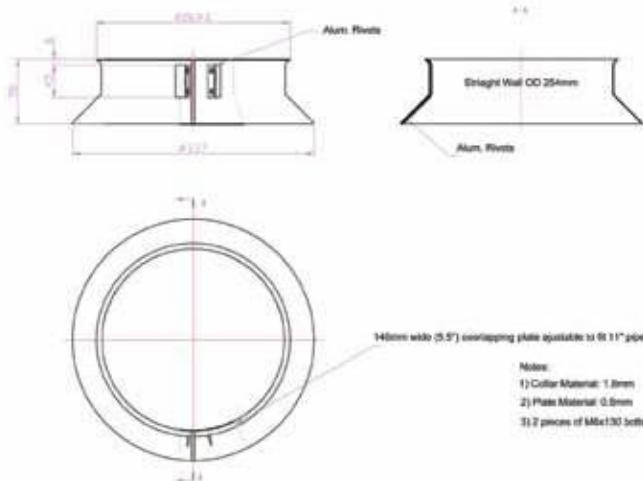
6" Storm Collar



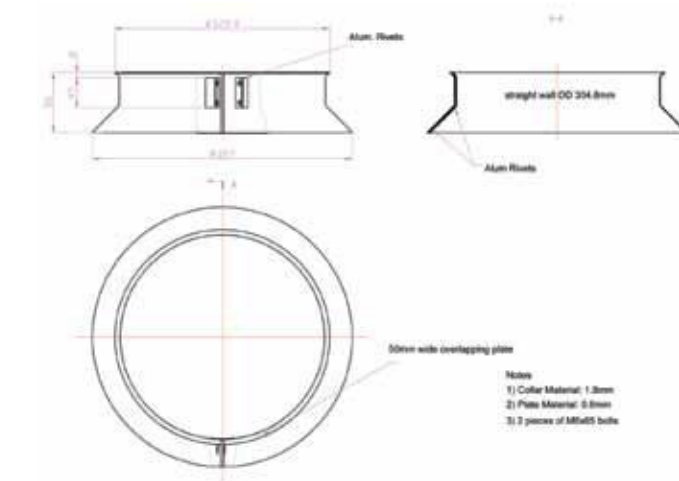
8" Storm Collar



10" Storm Collar



12" Storm Collar



What Our Customers Have To Say ...

"Their system is *second to none* to get you what you order as soon as possible."

Mike Rosenstein, Convoy Supply QC / Interbranch Traffic

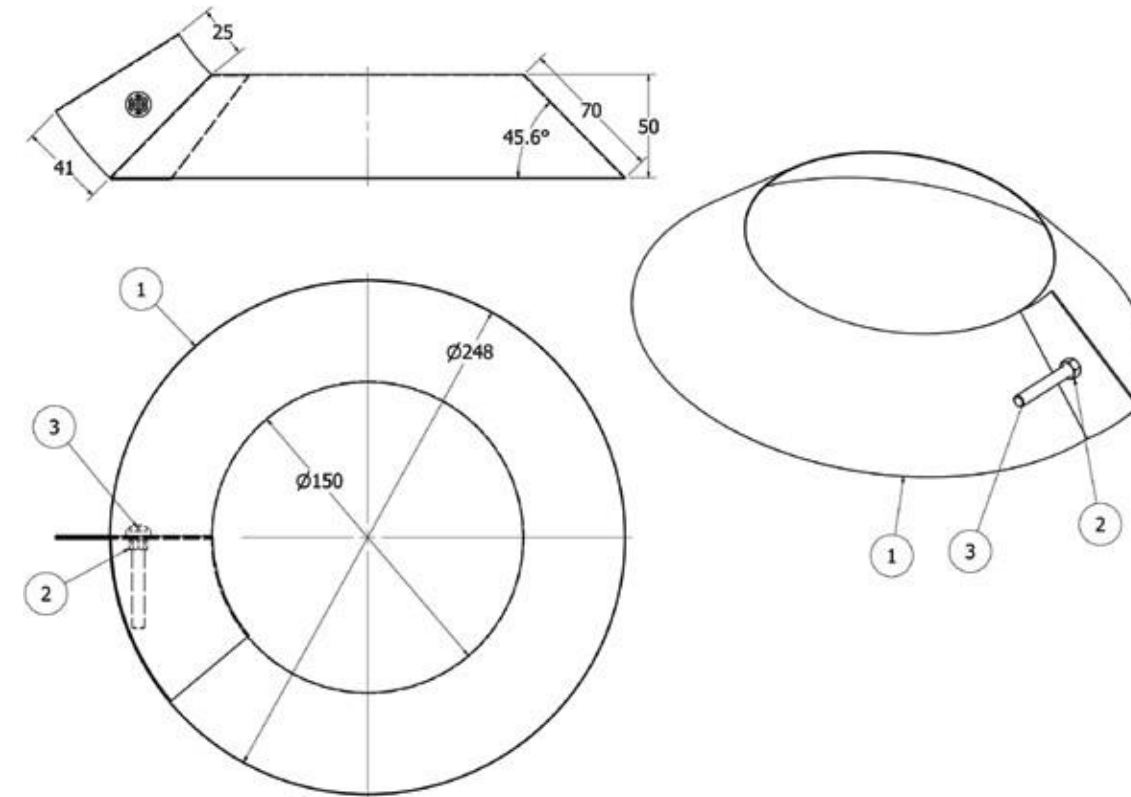
Galvanized Metal Rain Collar



GALVANIZED METAL RAIN COLLARS

features

- ✓ An economical rain collar made from 25 gauge galvanized metal (26 gauge for 2")
- ✓ 2" of overlap to allow for adjustment flexibility for various pipe sizes
- ✓ Available in sizes 2", 3", 4", 5", 6", 7", 8", 9", 10", 12", 14", 16", 18", 20", 22", and 24"
- ✓ Overlapping inner plate allows for adjustment up to +1" for larger pipe diameters
- ✓ One M6 x 45 galvanized steel bolt with nut
- ✓ Provides for silicon seal at upper edge where collar is tightened to pipe
- ✓ Conveniently packaged in boxes matching Platinum tall cone quantities





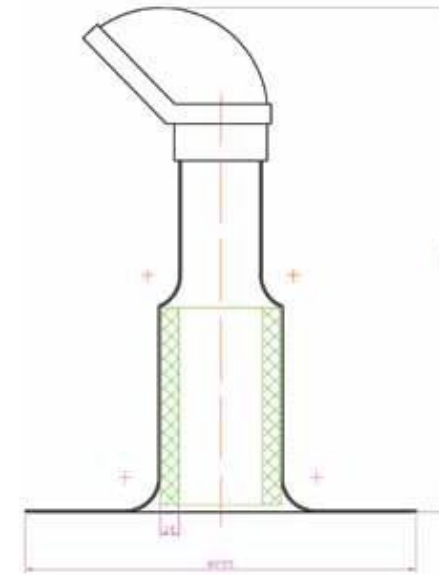
MULTI-WIRE INSULATED COBRA HEAD ELECTRICAL FLASHING

features

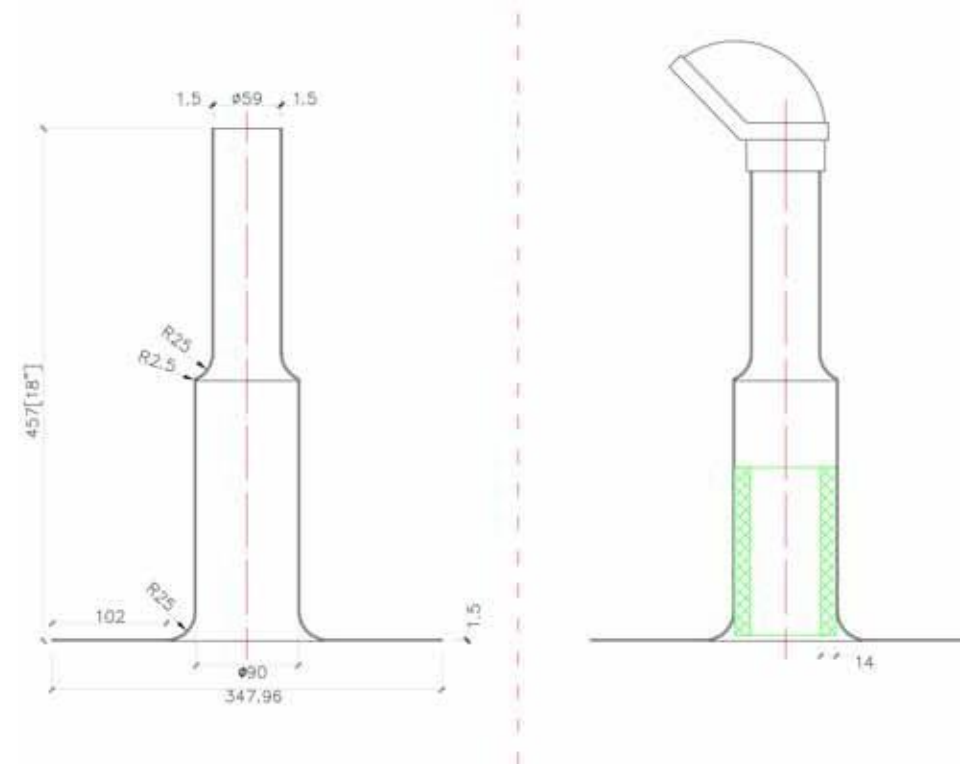
- ✓ Available in either 12" or 18"
- ✓ 12" high spun aluminum base with removable three piece PVC head, 15" overall height
- ✓ PVC head allows for up to 4 shielded electrical cables with weather tight seal
- ✓ Factory insulated base with 3/4" thickness polyurethane foam
- ✓ 2" I.D. between walls of insulation
- ✓ 11.5" wide flange on base of flashing



12" Multi-Wire Insulated Cobra Head Electrical Flashing



18" Multi-Wire Insulated Cobra Head Electrical Flashing



What Our Customers Have To Say ...

"A super product that will make the competitors open their eyes to affordable quality. A plastic diaphragm in the head can be punctured for 1-4 feed lines."

Darrel Henderson, BTC Group

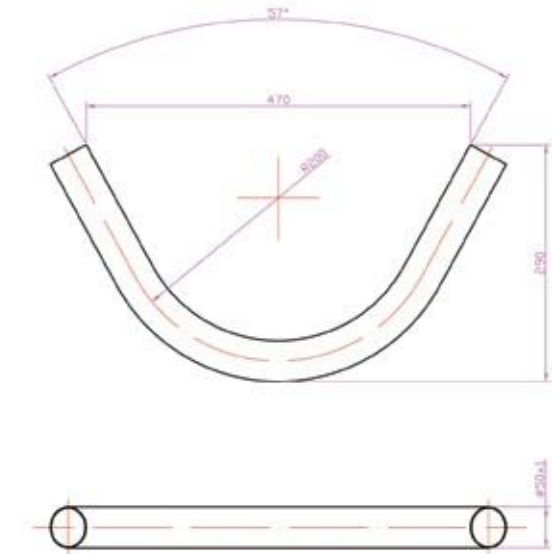
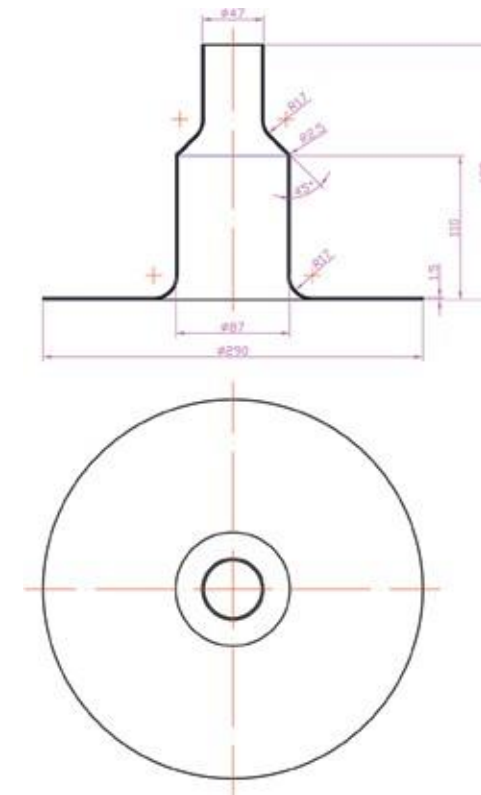
Stainless Steel Gooseneck Electrical Flashing



STAINLESS STEEL GOOSENECK ELECTRICAL FLASHING

features

- ✓ H.D. Spun aluminum base with 4" deck flange, 11.5" total flashing base diameter
- ✓ Premium 304 grade 30" stainless steel gooseneck pre-drilled and riveted to spun aluminum base
- ✓ Stainless steel walls 1 mm thickness and 50mm O.D.
- ✓ 3/4" thickness insulated walls in aluminum base
- ✓ 1.75" I.D. between insulated walls
- ✓ Gooseneck design provides a weatherproof flashing for extending wiring conduit on low slope roof systems
- ✓ Provides electrical access wherever needed on roof
- ✓ 3/4" thickness polyurethane foam insulated walls
- ✓ Ideal for satellite cable penetrations



What Our Customers Have To Say ...

"At last a quality maintenance-free product at an affordable price. Kiss the pitch pans good-bye."

Darrel Henderson, BTC Group

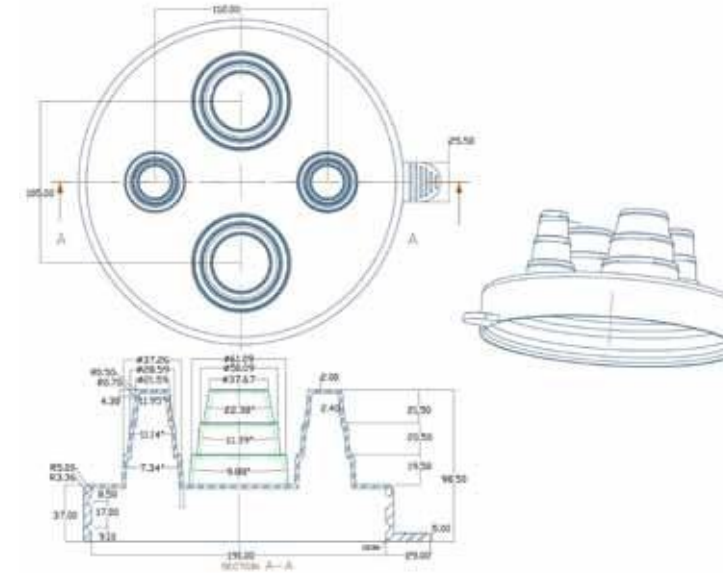


FOURNIPPLE ELECTRICAL FLASHING

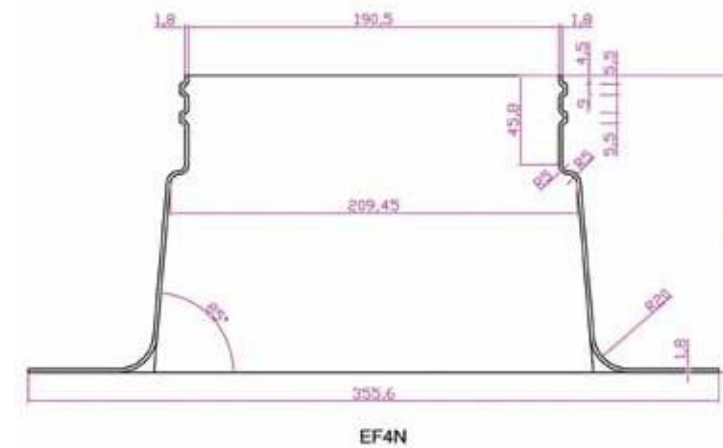
features

- ✓ EPDM and TVP boot designed for 4 separate wiring locations, each with their own variable diameter cut-out
- ✓ EPDM and TVP provide excellent flex fatigue resistance and ozone resistance
- ✓ 4 MJ clamps supplied to secure and seal openings around wiring as needed
- ✓ 2 large diameter 2 1/2" openings and 2 smaller 1 1/2" openings
- ✓ EPDM boot top over a seamless spun aluminum base with double groove for secure fit
- ✓ Seamless spun aluminum base is 6" high and 14" in diameter
- ✓ Total height with EPDM boot is 9" in height
- ✓ Ideal for multiple wiring applications on low slope roof
- ✓ Spun alum base EF4NW with 4" flange

EPDM Boot



Seamless Spun Aluminum Base



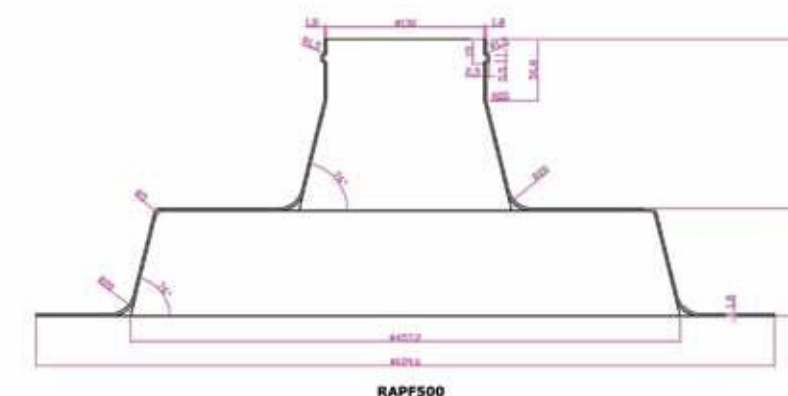
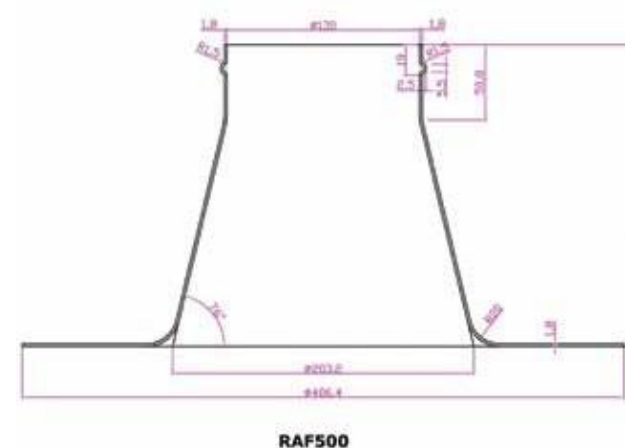
ROOF ANCHOR FLASHING WITH EPDM/ PP BOOT

features

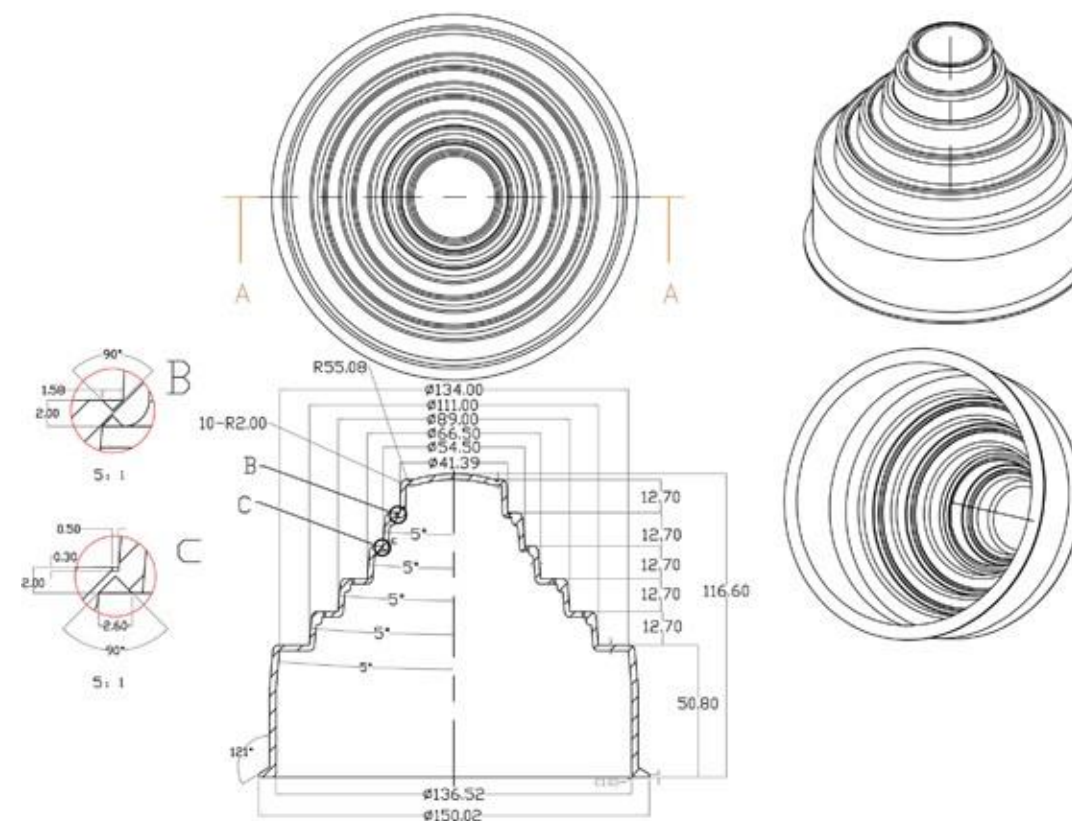
- ✓ RAF500- 1"-5" Roof Anchor Flashing with EPDM top and with Spun Alum base. Includes 5 MJ clamps for roof anchors from 1" diameter through 5". Seamless base is 1.8 mm material thickness high grade aluminum, 8" in height plus EPDM cap with 16" diameter base. Designed for roof anchors on all roofing systems except inverted roofs.
- ✓ RAPF500- 1"-5" Roof Anchor Flashing for Inverted Roofs with EPDM top and wide Oversized Spun Alum base to accommodate 12" steel base plate and bolts to 3.5" high on inverted roof systems. EPDM cap same as RAF500. 5 MJ Clamps included covering nominal anchor diameters from 1" to 5". Alum base is 9" in height (plus 4 1/2" boot height) and 24" wide with 3" flange.
- ✓ Ideal for either retrofit or new construction applications providing a watertight seal with varying sizes of roof anchors from 1", 2", 3", 4" or 5" diameters.
- ✓ Custom spun ridge on aluminum base provides a tight overlapping seal with EPDM boot over spun aluminum base.
- ✓ EPDM/PP boot designed for temperature ranges of -50C and long life expectancy.
- ✓ RAF500W for western Canada has 4" deck flange and spun base is 8" high

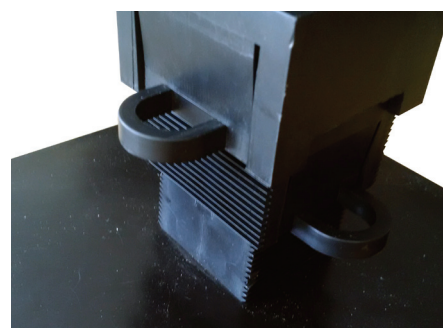
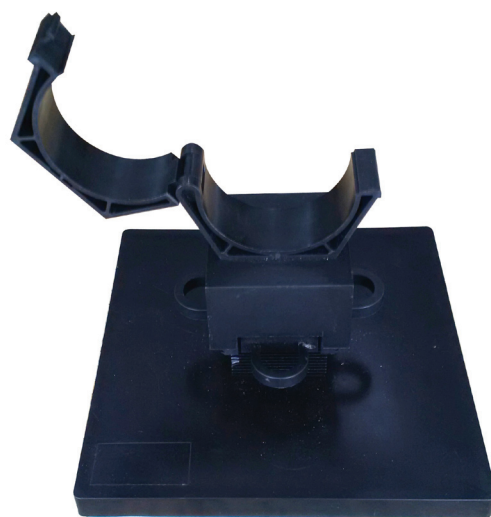
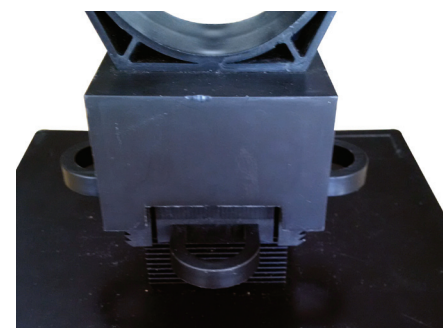
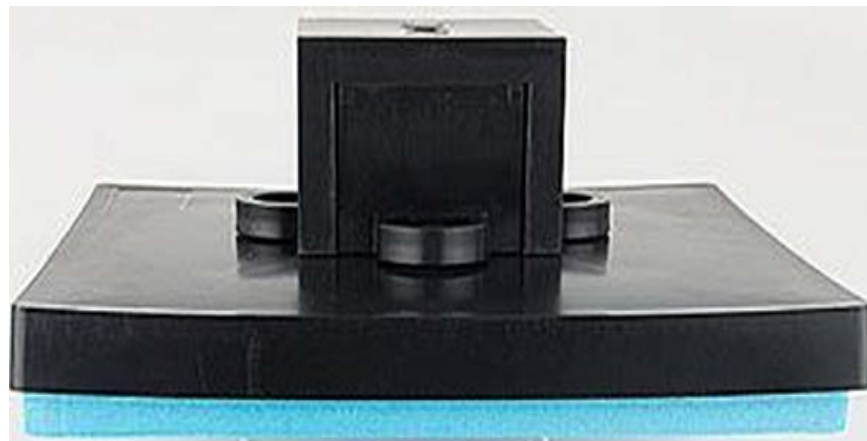


Roof Anchor Flashing



Rubber Boot





SMARTBLOX *features*

- ✓ Strong heavy duty gas line support with adjustable height and multiple head sizes.
- ✓ Made from recycled Modified Polypropylene to last the lifetime of the building.
- ✓ 1 0" x 1 0" base is insulated with 1 "thick closed cell XPS foam.
- ✓ Designed to support gas lines from 1 "to 6" in diameter.
- ✓ Head sizes available 2.5'; 3.5" and 6.5" diameter.
- ✓ Mid-section support sizes of 2'; 4" and 6".
- ✓ Adjustable from 4"to a height of 12" to centre of top support bracket



TERMINATION BAR

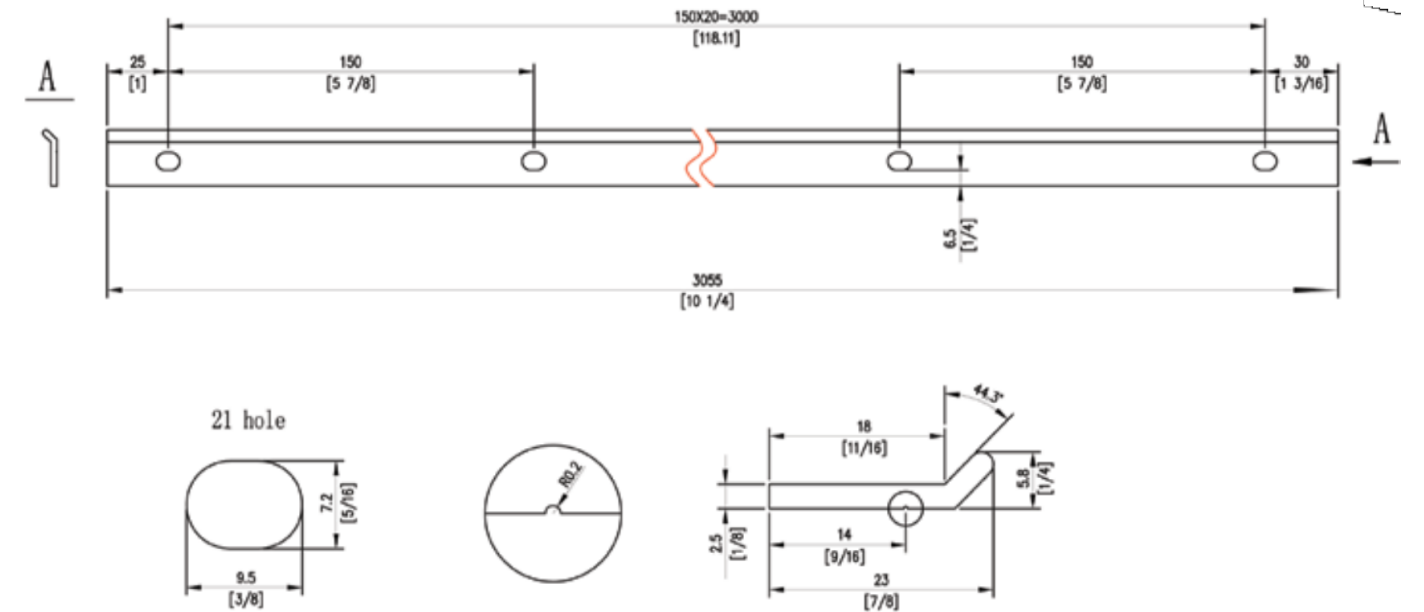
features

- ✓ Prefabricated with strong, light-weight aluminum
- ✓ Flexible to adapt to building irregularities
- ✓ Pre-drilled every 6" and in 10' lengths x 1" wide x 1/8" thickness
- ✓ Holes are 3/8" X 5/16"
- ✓ 1/8" lip sealant edge for secure seal
- ✓ Professional neat and tidy terminations
- ✓ Aluminum will not rust and stronger than plastic
- ✓ Aluminum is 6063 T-5 grade and corrosion resistant

APPLICATION

- ✓ Termination Bar is intended for attaching and sealing flashing termination
- ✓ Substrates must be free from dust, dirt, oil, water and other contaminants
- ✓ Anchor the termination bar through each pre-drilled hole as required
- ✓ Start fastening at one end of the bar and proceed to the next slot to eliminate bowing caused by improper installation. Trim top edge of flashing flush with top of termination bar. Apply sealant to top edge of bar and trowel smooth. Remove existing flashing and fasten to the substrate

Termination Bar



What Our Customers Have To Say ...

"Termination bars are made in several styles and from different materials. The Platinum Termination bar is high quality aluminum, resists corrosion and the angled edge allows a perfect seal. Great value and a good product."

Steve Page, Taurus Contracting



GIN WHEEL

features

- ✓ 1000 lb load capacity tested
- ✓ For use with up to 1" diameter rope of wire cable
- ✓ 12" diameter pulley
- ✓ Made from forged steel
- ✓ Paint coated
- ✓ 10+ years of proven use in scaffolding industry

SCREWDRIVER

features

- ✓ Used to install Drain Seals
- ✓ 24" In Length
- ✓ Ratchett Screw Handle

